



# INSTALLATION INSTRUCTIONS

Accessory

SADDLEBAG SUPPORT  
P/N 08L71-K87-A00

Application

CMX500/A  
CMX300/A

Publication No.

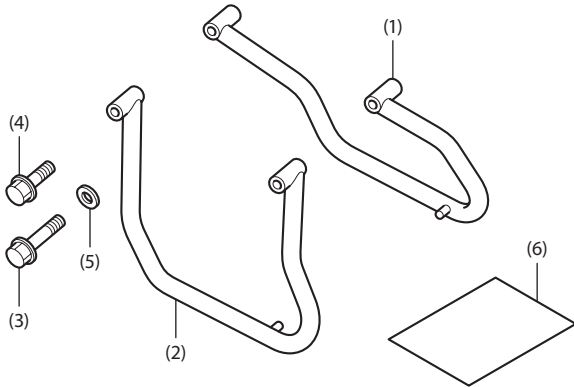
MII

Issue Date

December 2019

Honda Dealer: Please give a copy of these instructions to your customer.

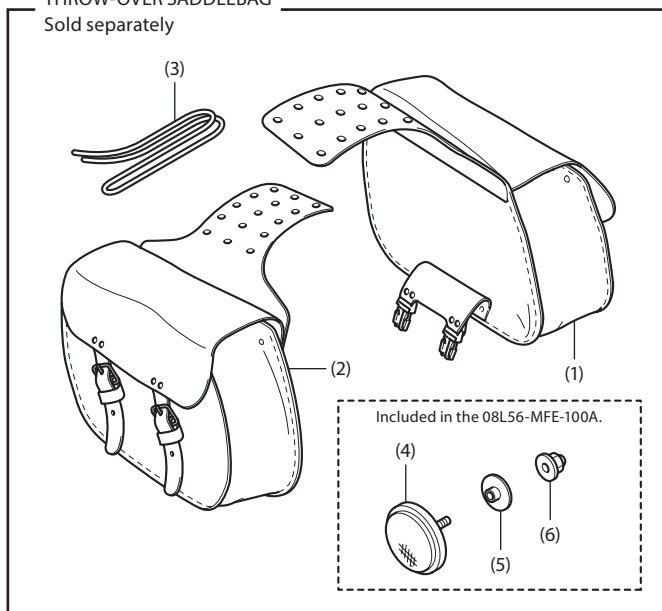
## PARTS LIST



No.	Description	Qty
(1)	Right support pipe	1
(2)	Left support pipe	1
(3)	8 mm flange bolt (long)	4
(4)	8 mm flange bolt (short)	4
(5)	8 mm washer	4
(6)	URL paper	1

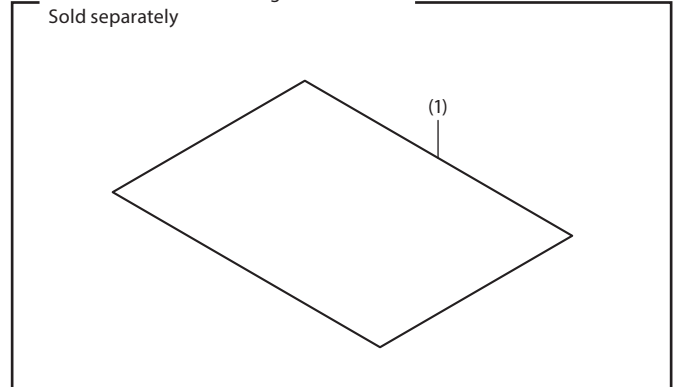
## THROW-OVER SADDLEBAG

Sold separately



No.	Description	Qty
(1)	Right saddlebag	1
(2)	Left saddlebag	1
(3)	Leather strap	1
(4)	Reflector (100A only) [Not used.]	2
(5)	Flange collar (100A only) [Not used.]	2
(6)	6 mm cap nut (100A only) [Not used.]	2

PROTECTIVE FILM <For single seat model>  
Sold separately



No.	Description	Qty
(1)	Protective film	1

## TOOLS AND SUPPLIES REQUIRED

- Socket (12 mm)
- Ratchet
- Scissors
- Scale
- Isopropyl alcohol
- Shop towel
- Torque wrench

## TORQUE CHART

Tighten all screws, bolts, and nuts to their specified torque values. Refer to the Service Manual for the torque values of the removed parts.

Item	N-m	kgf-m	lbf-ft
8 mm flange bolt	27	2.8	20

## MAXIMUM LOADING CAPACITY

- The weight of the cargo must not exceed the following maximum loading capacity:

Maximum Loading Capacity	
Right saddlebag	3.0 kg (6.6 lb)
Left saddlebag	3.0 kg (6.6 lb)

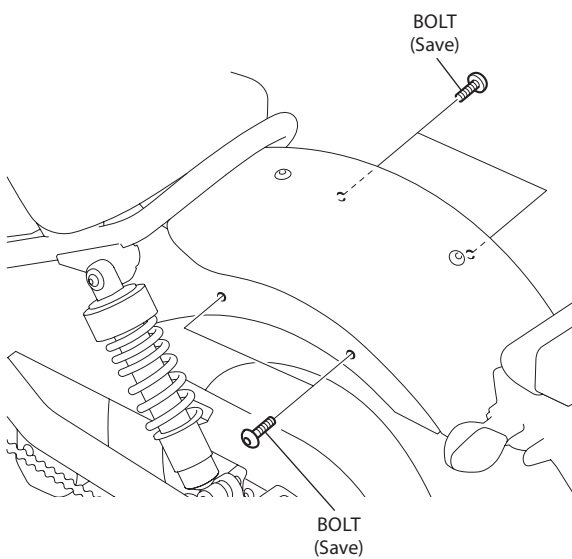
## INSTALLATION (For single seat model)

### ⚠ CAUTION

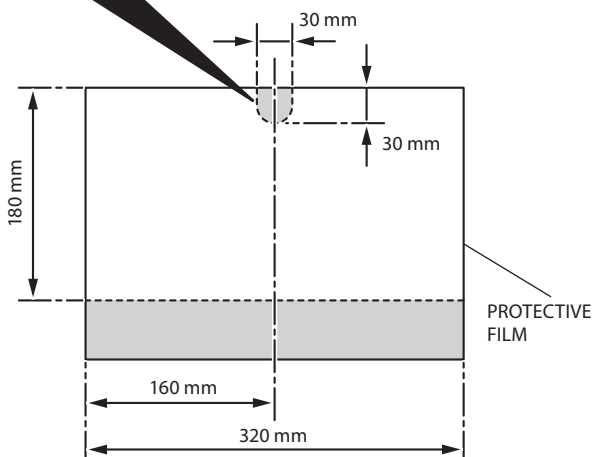
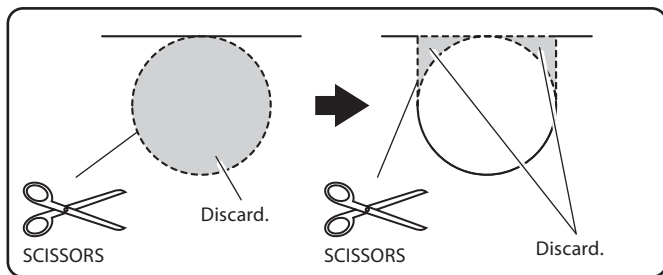
- To prevent burns, allow the engine, exhaust system, radiator, etc. to cool before installing the accessory.

#### NOTE:

- Take care not to damage the painted surfaces of the motorcycle.
  - When replacing any other accessory that is required to install this accessory, follow these instructions only.
- Refer to the Service Manual for the motorcycle, remove the motorcycle parts.

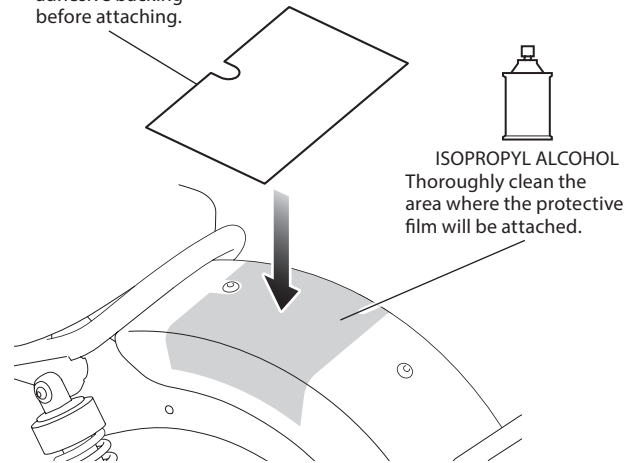


- Cut the protective film to the dimensions shown.

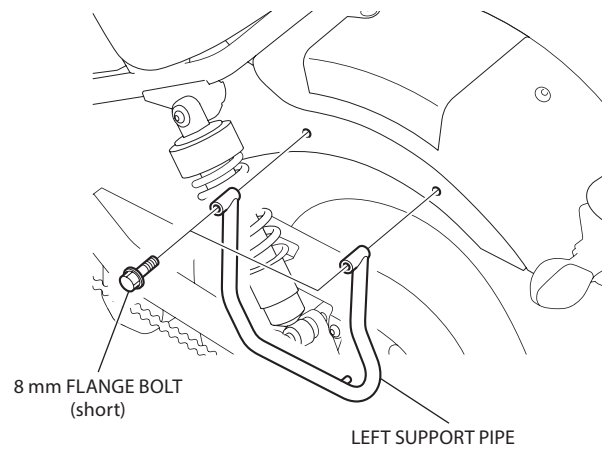


- Attach the protective film on the rear fender as shown.

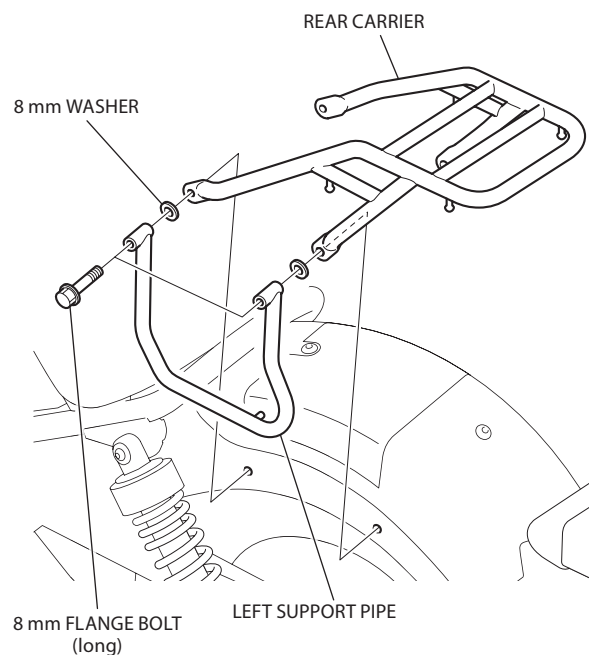
PROTECTIVE FILM  
Remove the adhesive backing before attaching.



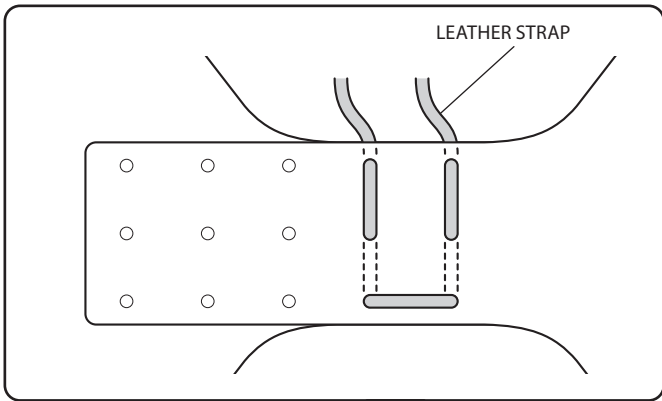
- Install the left support pipe as shown.
  - Repeat on the right side.



Motorcycle with the Rear carrier and this accessory.

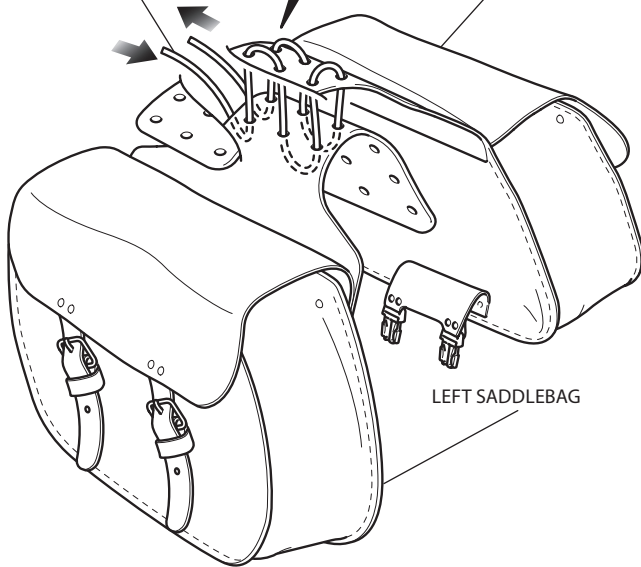


5. Tie the right and left saddlebag together using a leather strap.



LEATHER STRAP  
Included in the throw-over saddlebag.

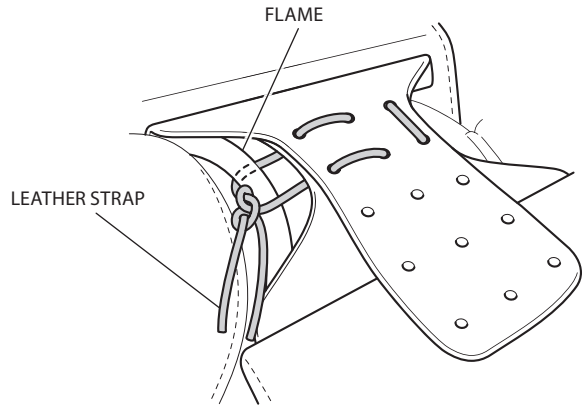
RIGHT SADDLEBAG



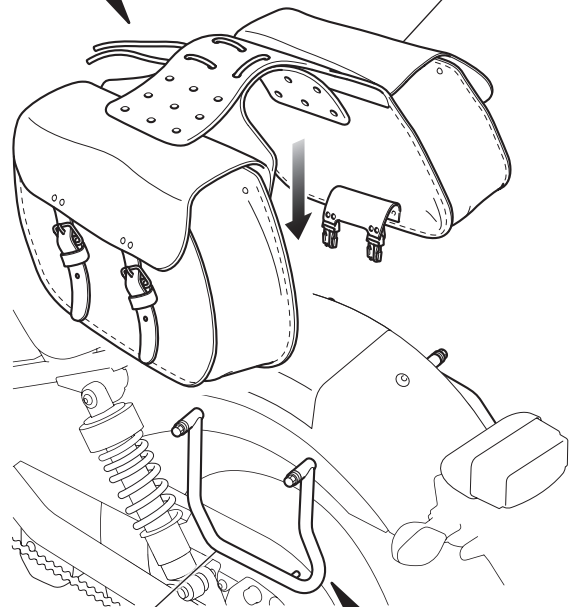
LEFT SADDLEBAG

6. Install the throw-over saddlebag as shown.

Route the leather strap through the flame and tie it as shown.



SADDLEBAG

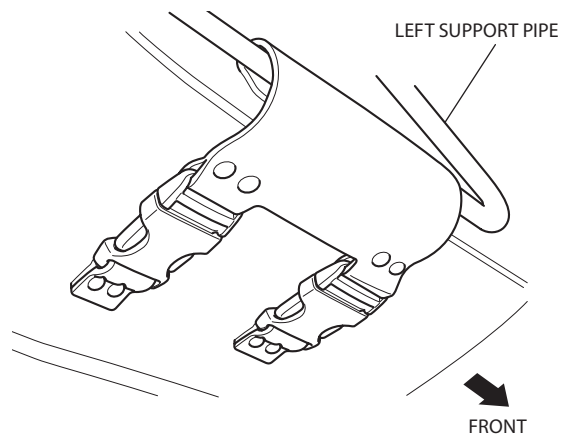


LEFT SUPPORT PIPE

Bottom view

Secure to the support pipe as shown.

- Repeat on the right side.



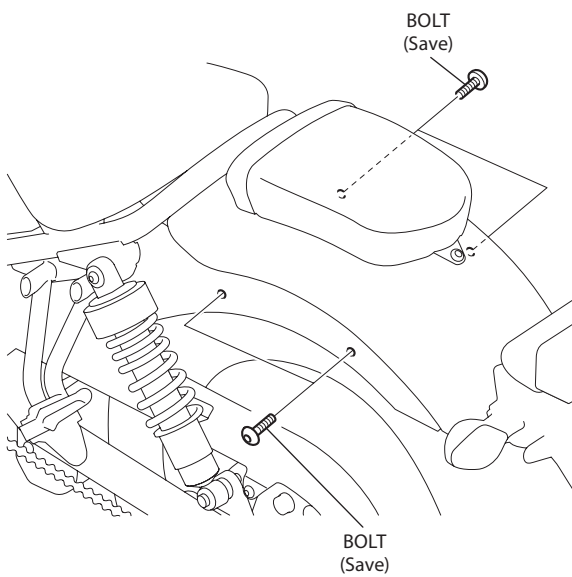
## INSTALLATION (For pillion seat model)

### ▲ CAUTION

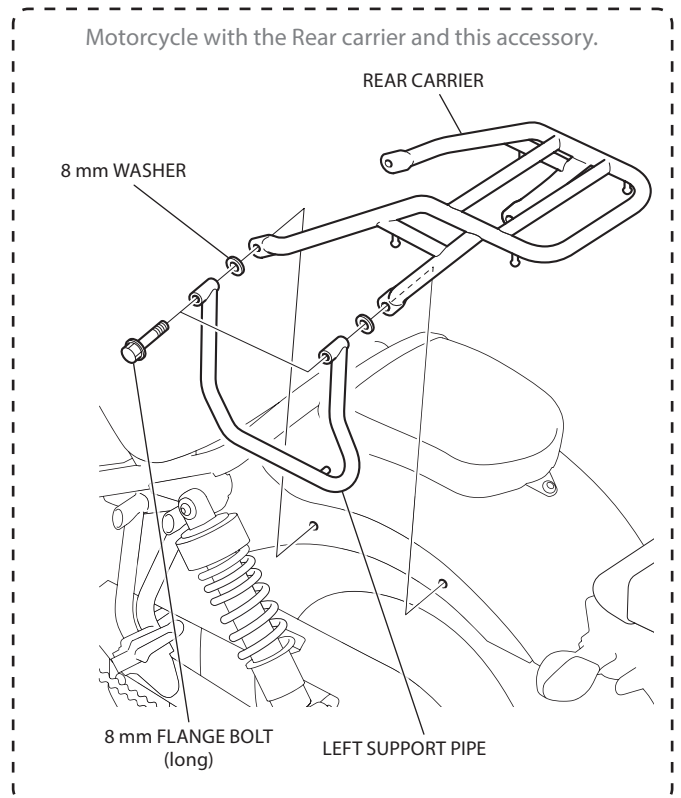
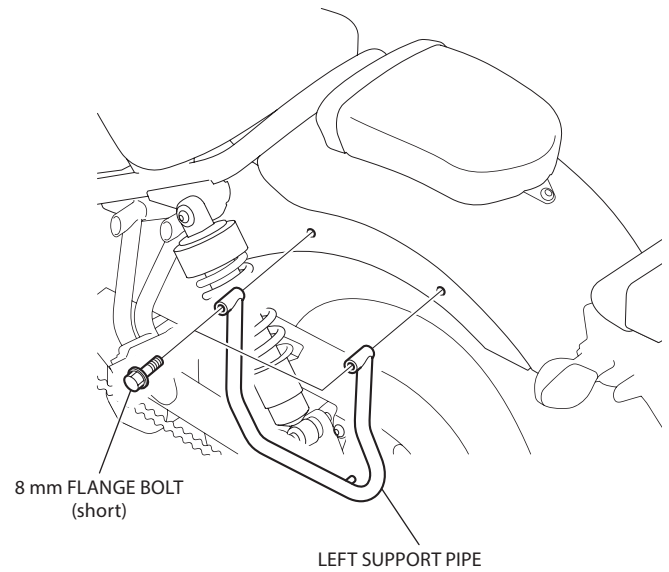
- To prevent burns, allow the engine, exhaust system, radiator, etc. to cool before installing the accessory.

### NOTE:

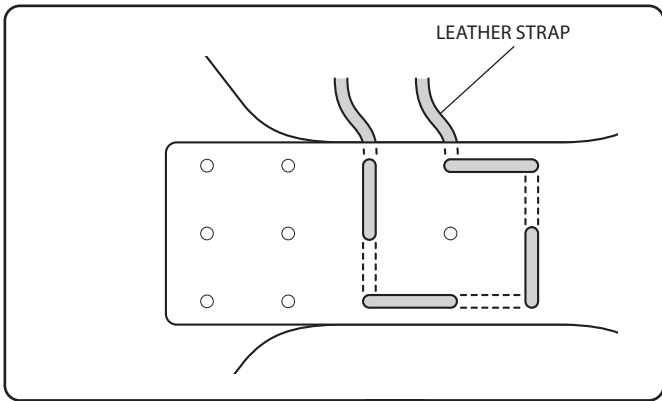
- Take care not to damage the painted surfaces of the motorcycle.
  - When replacing any other accessory that is required to install this accessory, follow these instructions only.
1. Refer to the Service Manual for the motorcycle, remove the motorcycle parts.



2. Install the left support pipe as shown.
  - Repeat on the right side.

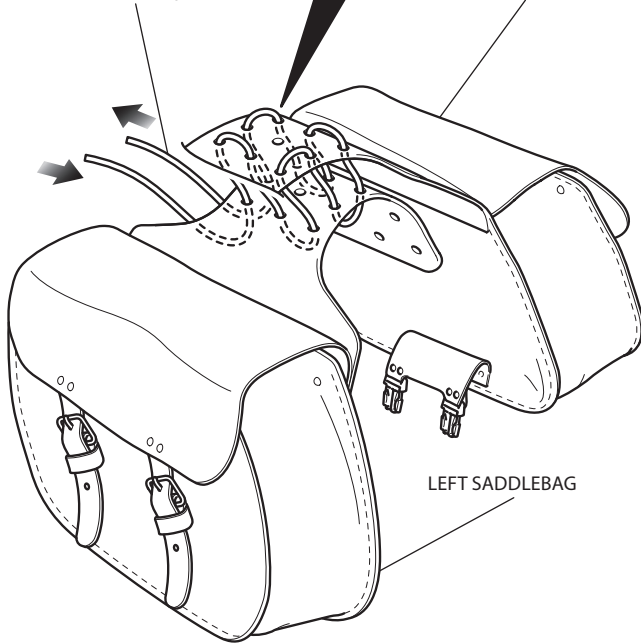


3. Tie the right and left saddlebag together using a leather strap.



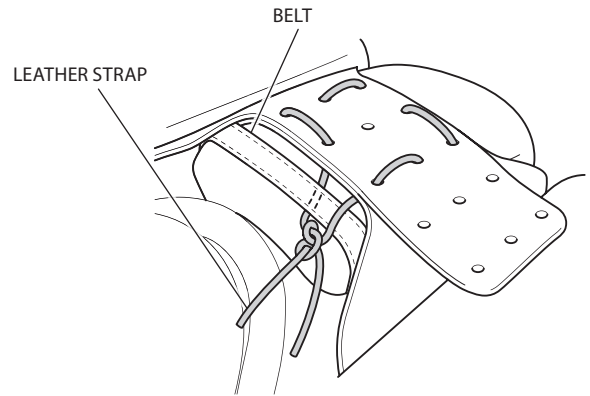
LEATHER STRAP  
Included in the throw-  
over saddlebag.

RIGHT SADDLEBAG

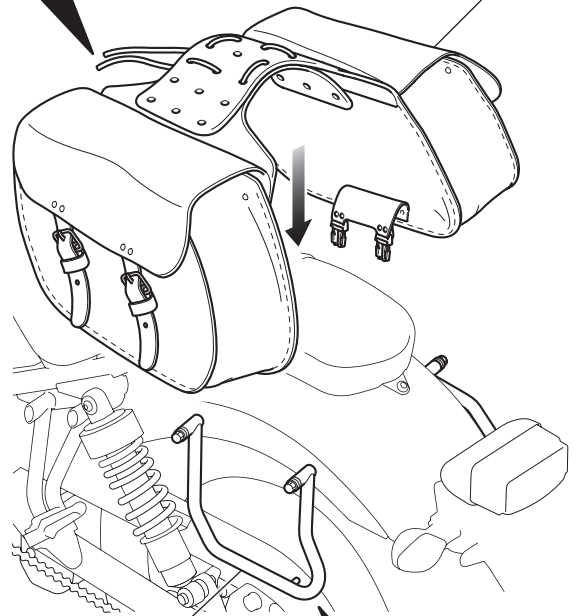


4. Install the throw-over saddlebag as shown.

Route the leather strap through the belt and tie it as shown.



SADDLEBAG



Bottom view

Secure to the support pipe as shown.

- Repeat on the right side.

