



INSTALLATION INSTRUCTIONS

Accessory

CHROME TRUNK RACK
P/N 08L70-MKC-L00

Application

GL1800/B/BD/D/DA

Publication No.

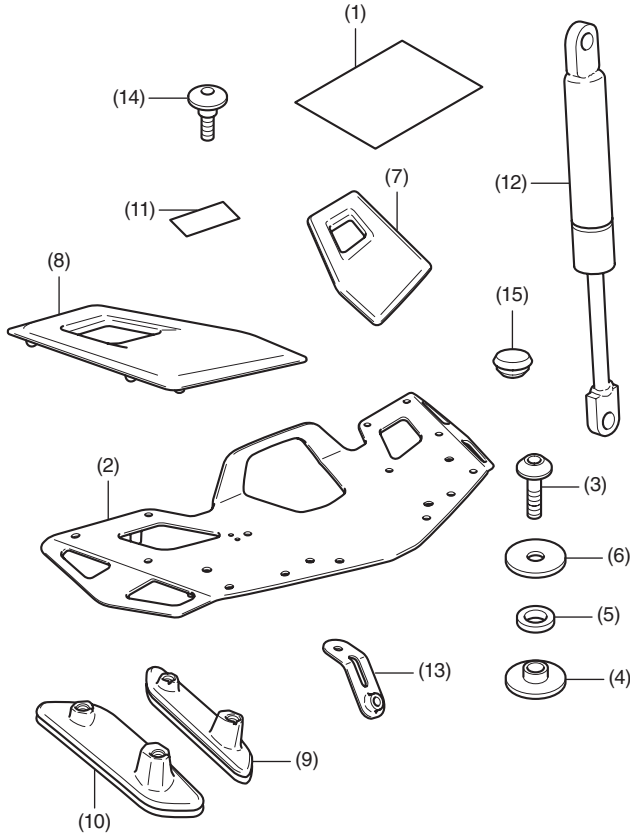
MII

Issue Date

January 2021

Honda Dealer: Please give a copy of these instructions to your customer.

PARTS LIST



No.	Description	Qty
(1)	Installation Instructions URL	1
(2)	Trunk rack	1
(3)	6 mm bolt	4
(4)	Collar	4
(5)	Rubber washer	4
(6)	Washer	2
(7)	Right rack top cover	1
(8)	Left rack top cover	1
(9)	Right trunk rack cover	1
(10)	Left trunk rack cover	1
(11)	Label	1
(12)	Damper	2
(13)	Trunk rack plate	2
(14)	6 mm screw	2
(15)	Plug	1

TOOLS AND SUPPLIES REQUIRED

Hex wrench (5 mm)

Synthetic detergent solution

(Water : Synthetic detergent / 100 : 1)

Scale

Masking tape

Isopropyl alcohol

Shop towel

Torque wrench

TORQUE CHART

Tighten all screws, bolts, and nuts to their specified torque values. Refer to the Service Manual for the torque values of the removed parts.

Item	N·m	kgf·m	lbf·ft
6 mm screw	9	0.9	6.6
6 mm bolt	10	1.0	7

MAXIMUM LOADING CAPACITY

- The weight of the cargo must not exceed the following maximum loading capacity:

Maximum Loading Capacity	
Chrome trunk rack	5.0 lb (2.3 kg)

INSTALLATION

▲ CAUTION

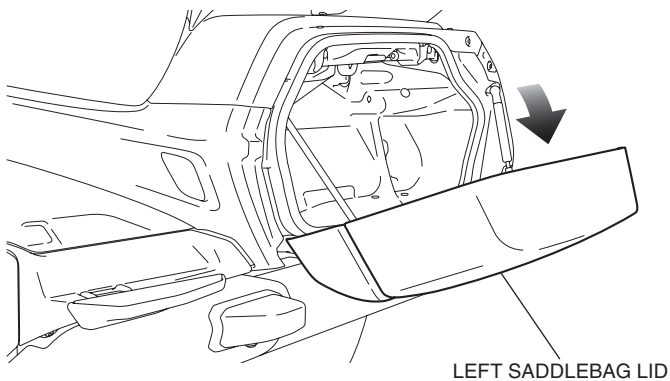
- To prevent burns, allow the engine, exhaust system, radiator, etc., to cool before installing the accessory.

NOTE:

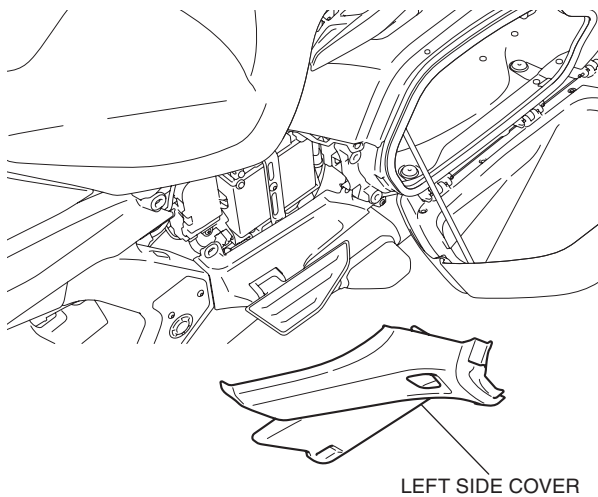
- Disconnect the negative (-) cable from the battery before installing this accessory.
- Heat the bonding surfaces with a hair dryer if the ambient air temperature is below 70°F (21°C).
- The adhesive reaches full strength in 72 hours. Wait at least 24 hours before riding your motorcycle.
- The memories of the clock will be erased when you disconnect the battery. Reset the memories after reconnecting the battery.
- Reinstall the removed parts on the motorcycle and make sure that the wires and harnesses are not pinched.

1. Open the left saddlebag lid as shown.
 - Repeat on the right side.

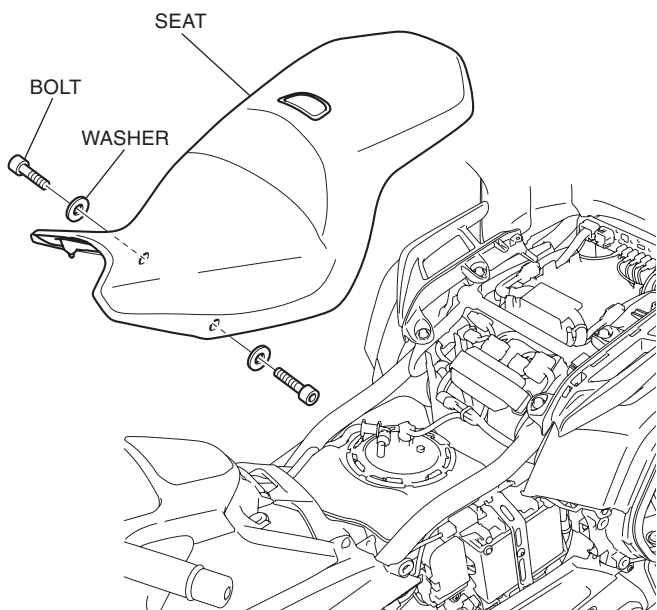
<Left side>



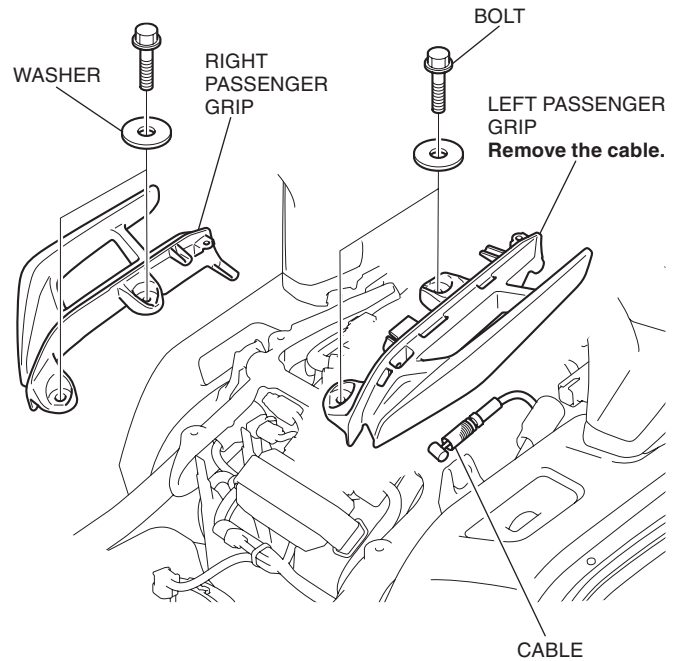
2. Remove the left side cover as shown, and disconnect the negative (-) cable of the battery.



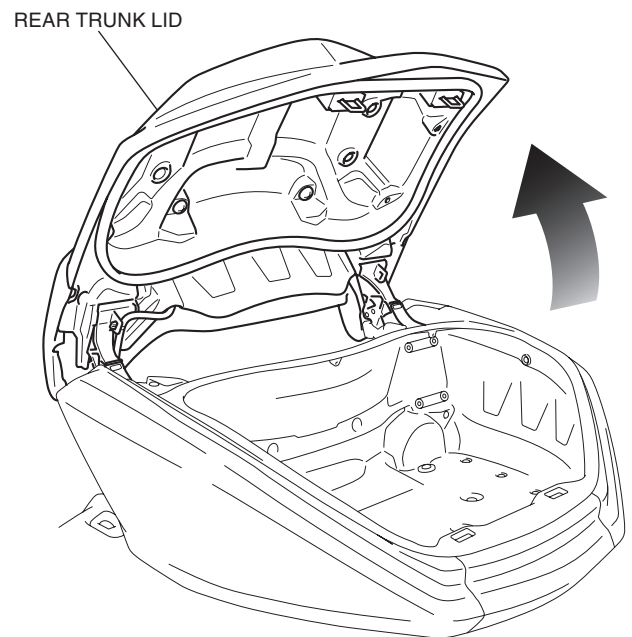
3. Remove the right side cover in the same manner as the left side.
4. Remove the seat as shown.
 - Disconnect the connector for GL1800/D/DA.



5. Remove the right and left passenger grip as shown.

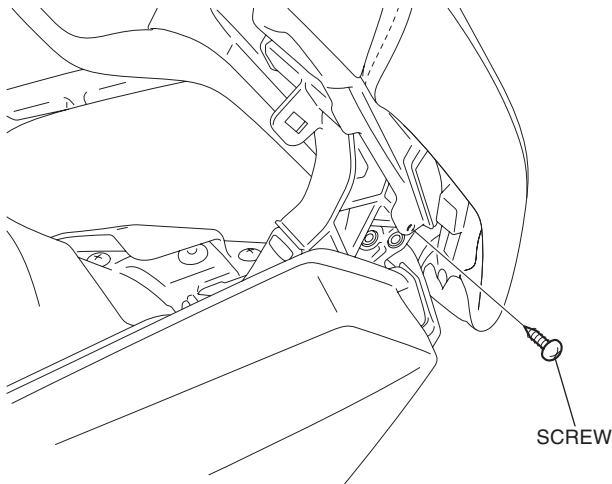


6. Open the rear trunk lid as shown.
 - Refer to the Owner's Manual and using an emergency trunk cable to open the rear trunk lid.

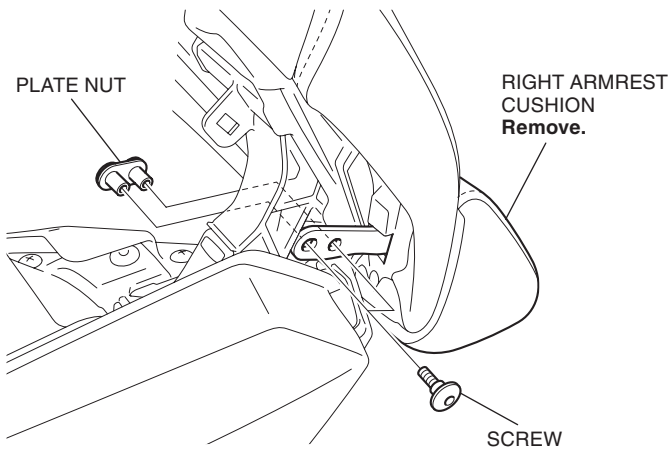


7. Remove the parts as shown.
 • Repeat on the left side.

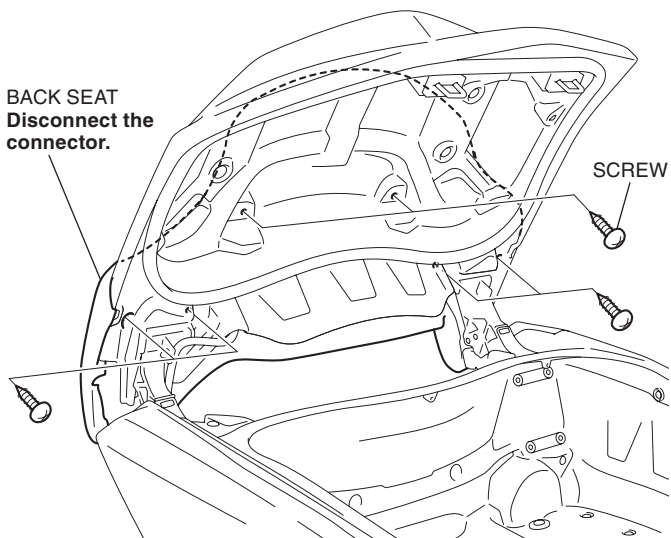
<Right side> GL1800/B/BD/D



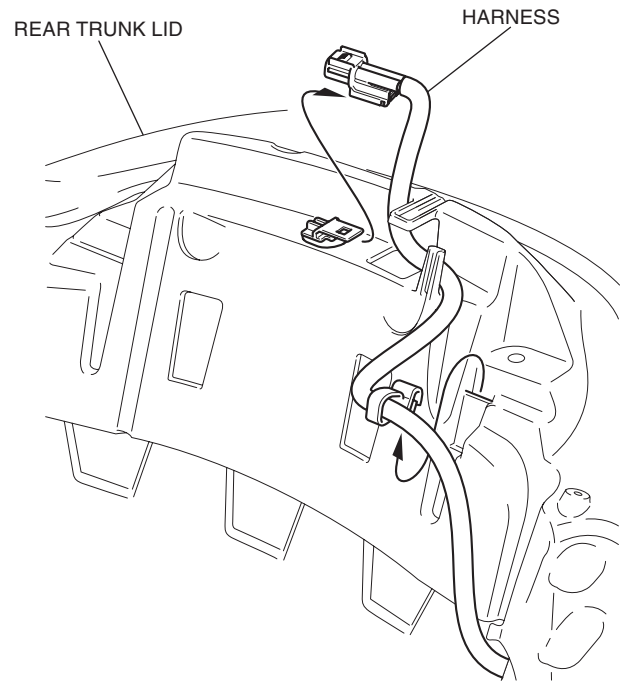
<Right side> GL1800DA



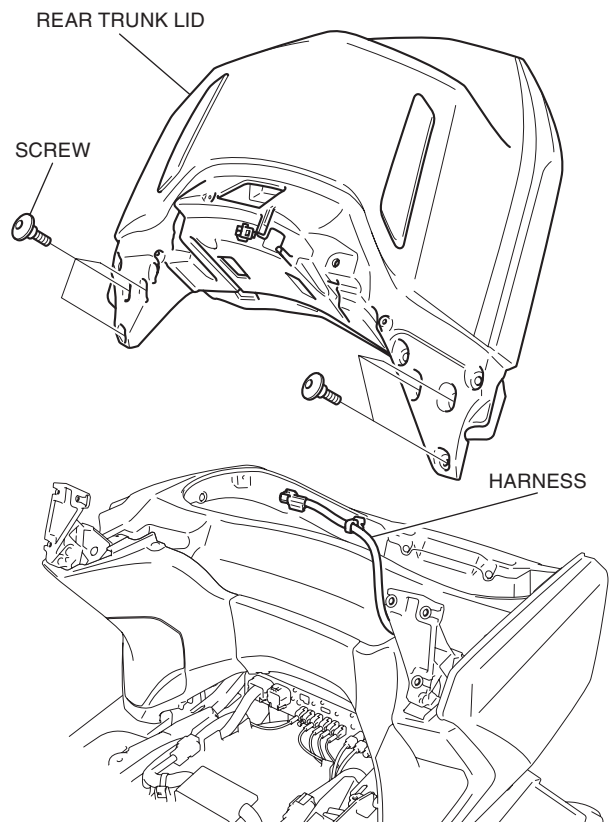
8. Remove the back seat as shown.



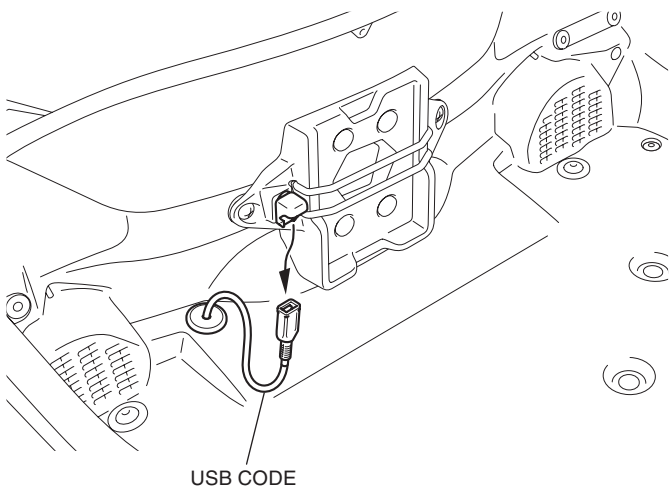
9. Remove the harness as shown.



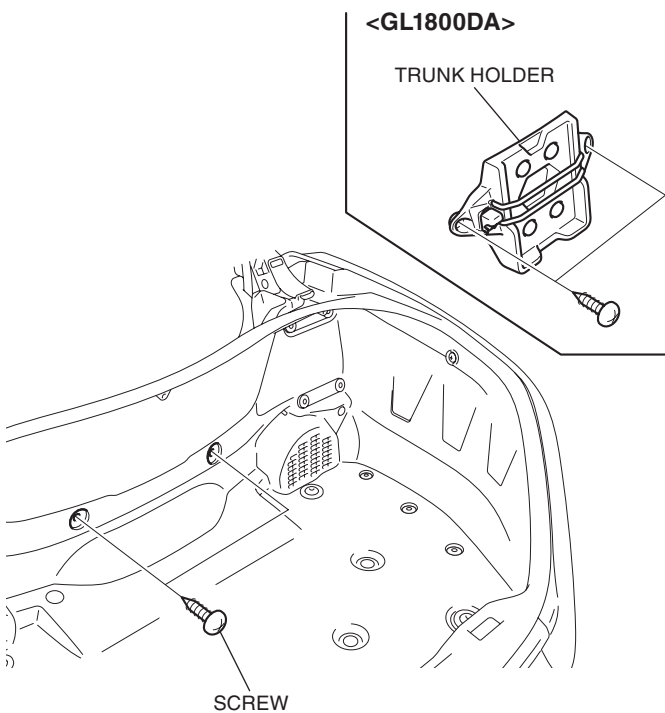
10. Remove the rear trunk lid as shown.



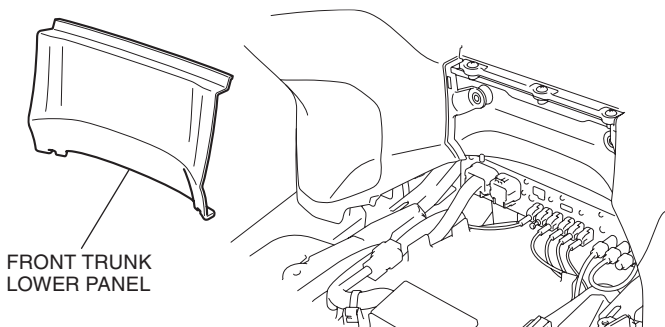
11. Remove the USB code as shown.
- Perform this step on GL1800DA only.



12. Remove the parts as shown.

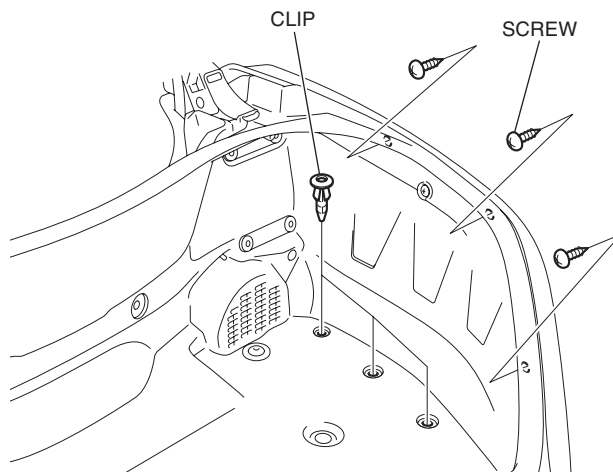


13. Remove the front trunk lower panel as shown.



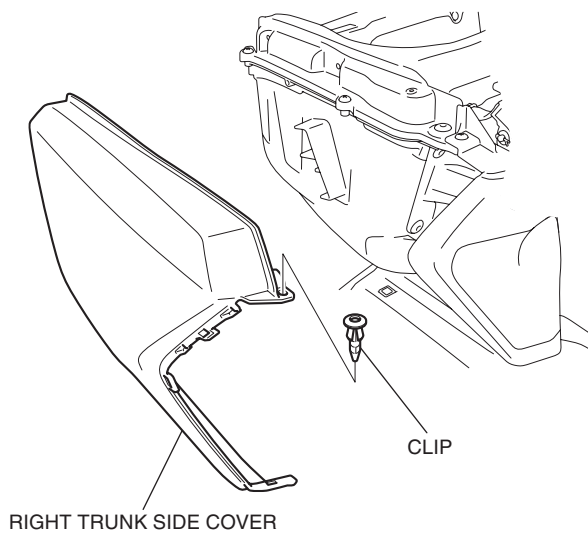
14. Remove the parts as shown.
- Repeat on the left side.

<Right side>



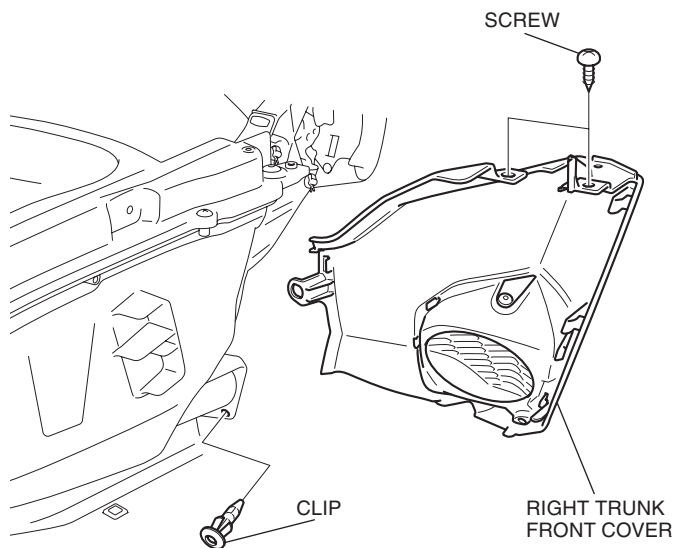
15. Remove the right trunk side cover as shown.

<Right side>



16. Remove the right trunk front cover as shown.

<Right side>

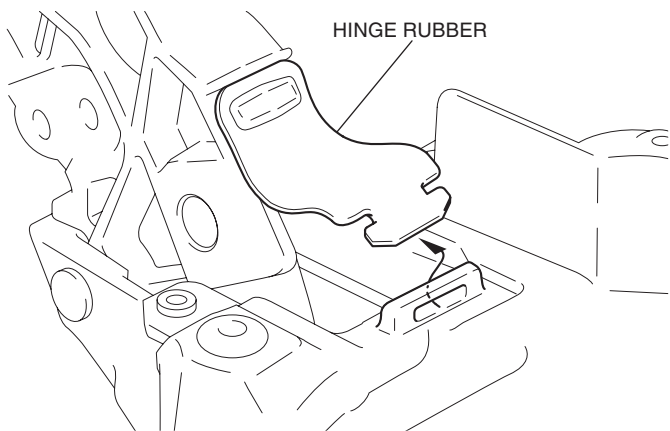


17. Remove the left trunk side cover and right trunk front cover in the same manner as the right side.

18. Remove the hinge rubber as shown.

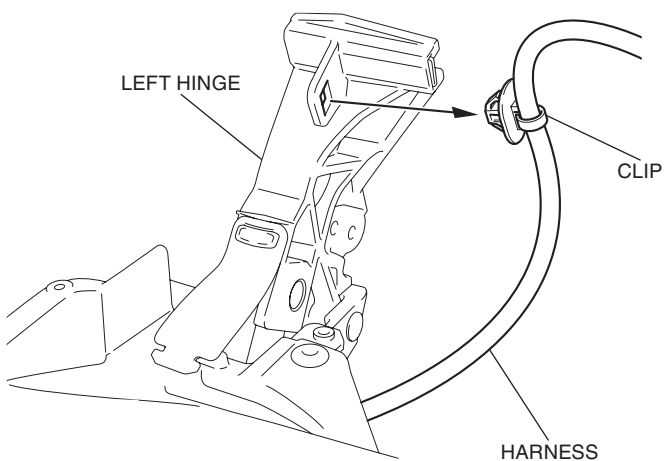
- Repeat on the left side.

<Right side>



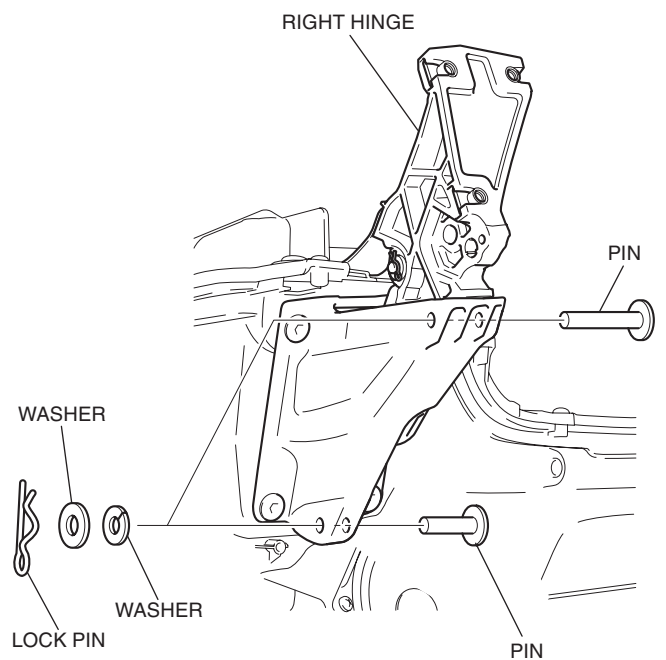
19. Remove the clip as shown.

<Left side>

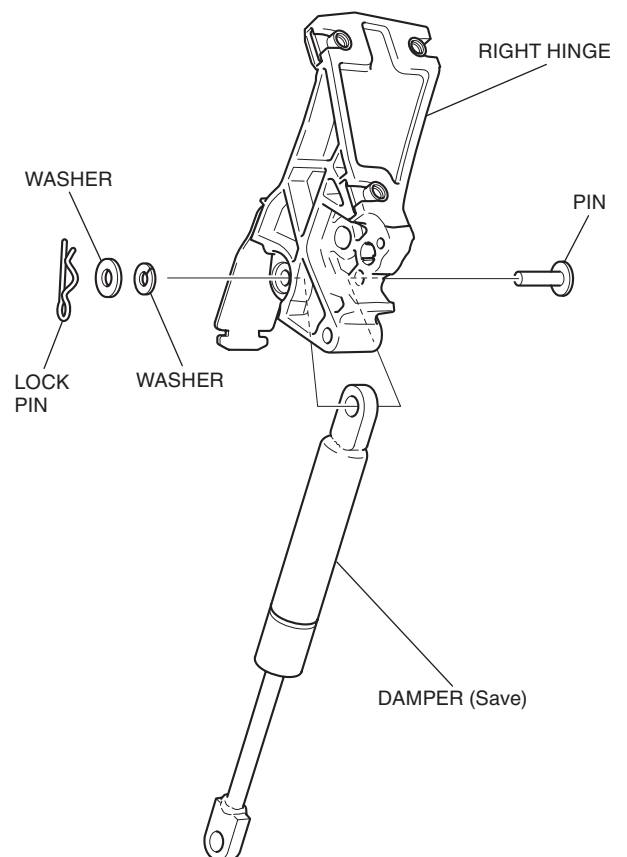


20. Remove the right hinge as shown.

<Right side>

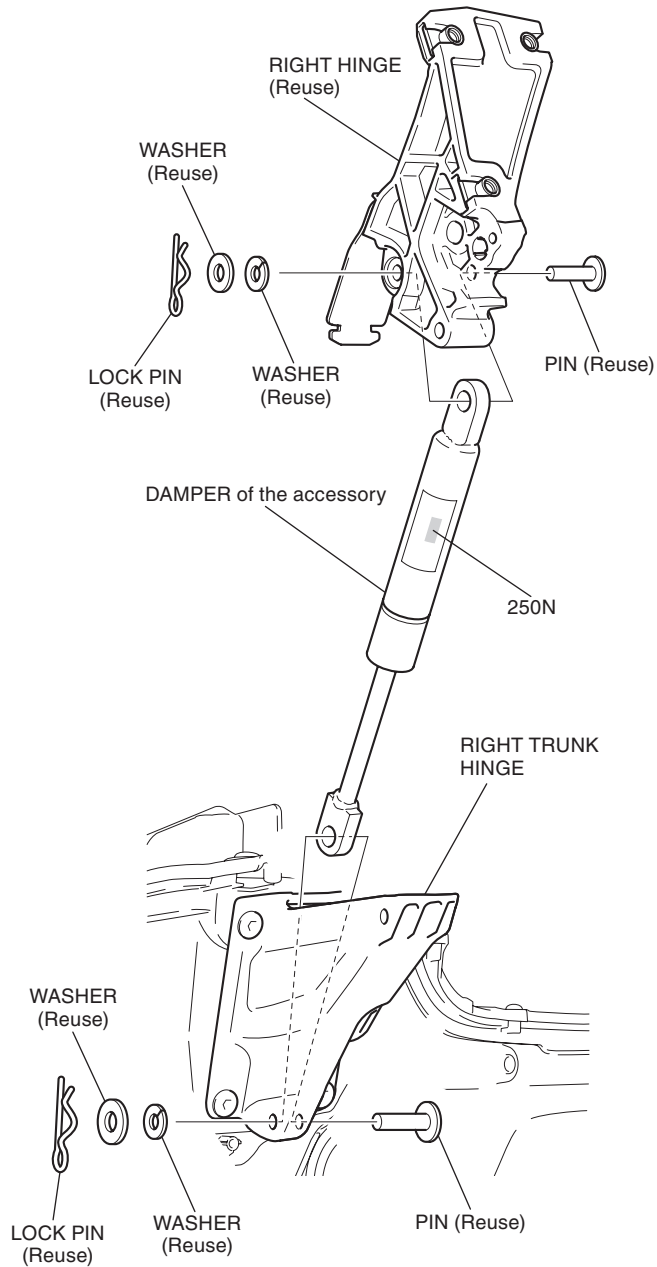


21. Remove the damper as shown.

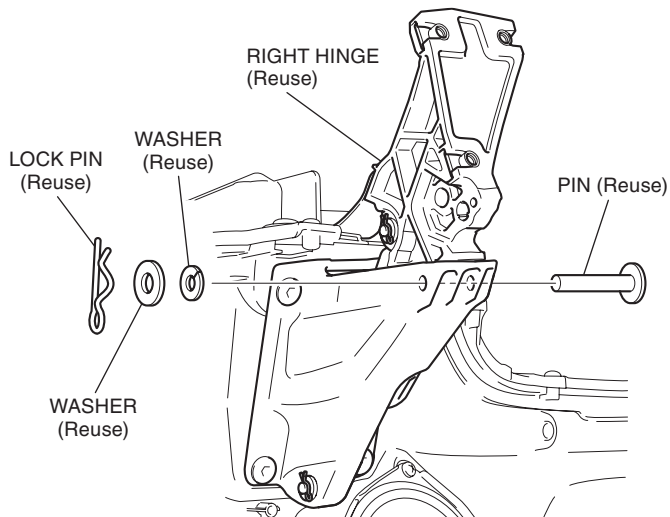


22. Remove the left hinge and damper in the same manner as the right side.

23. Install the damper of the accessory as shown.



24. Install the right hinge as shown.

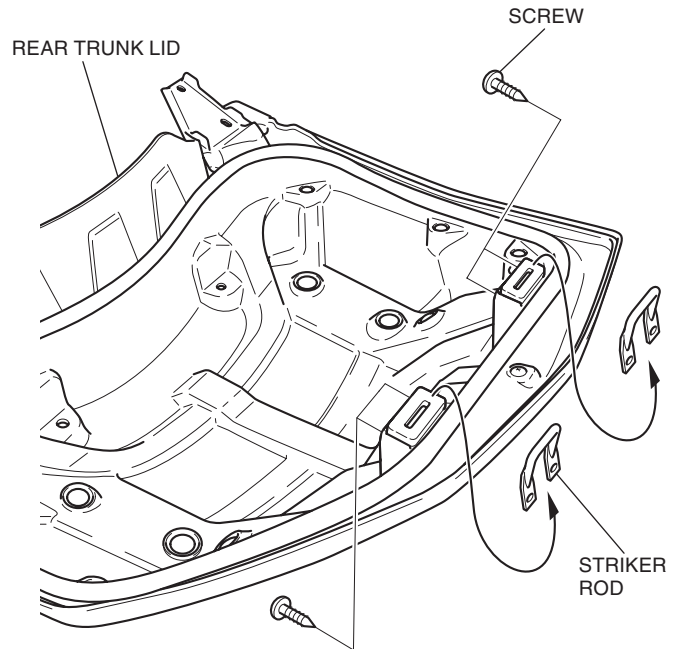


25. Install the damper of the accessory and left hinge in the same manner as the right side.

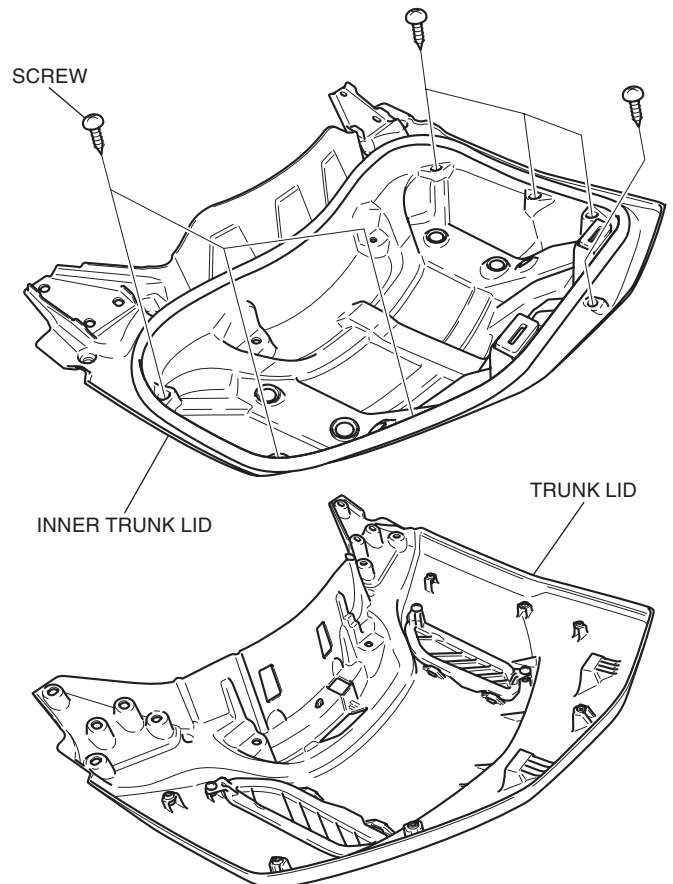
26. Install the hinge rubber in the reverse order of removal.

27. Install the harness to the left hinge in the reverse order of removal.

28. Remove the striker rods as shown.

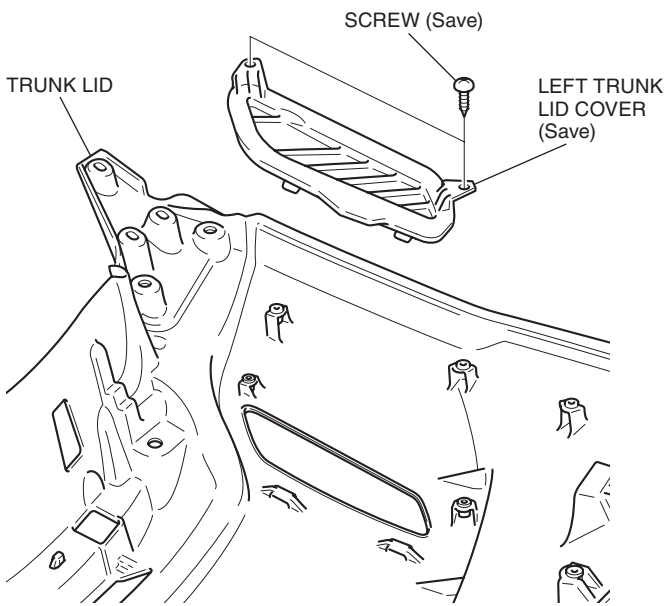


29. Remove the inner trunk lid as shown.

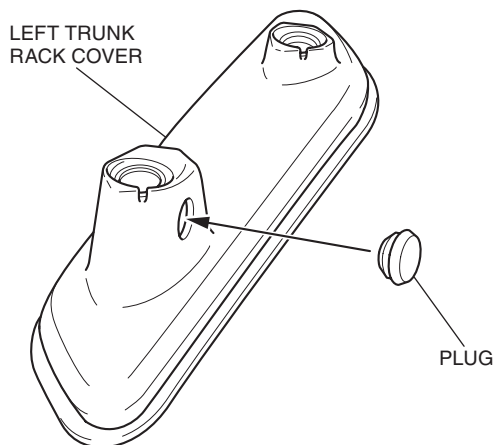


30. Remove the left trunk lid cover as shown.

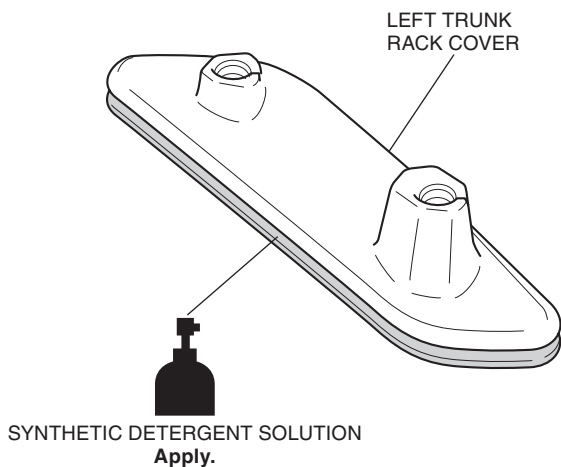
- Repeat on the right side.



31. Install the plug as shown.

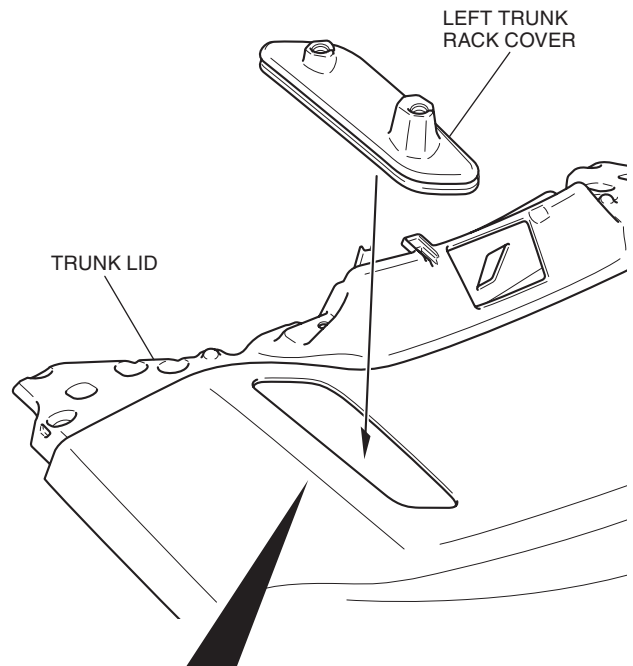


32. Apply synthetic detergent solution to the position shown.

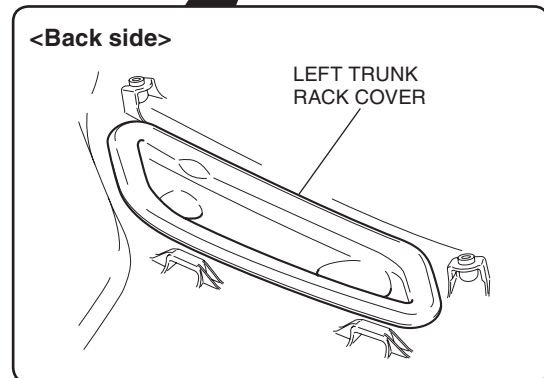


33. Install the left trunk rack cover as shown.

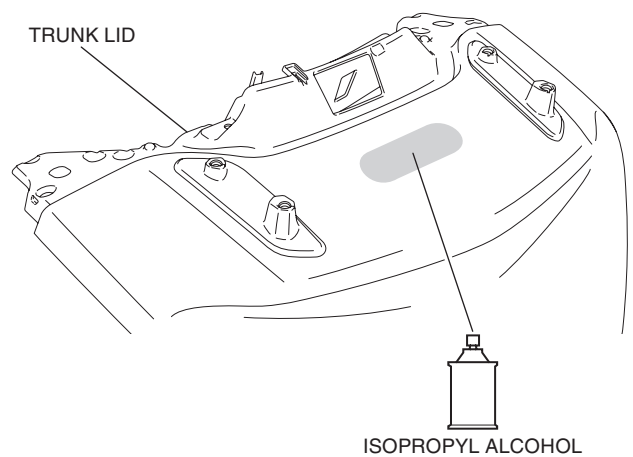
- Make sure to install the trunk rack cover without peeling in whole and both sides of cover.
- Repeat on the right side.



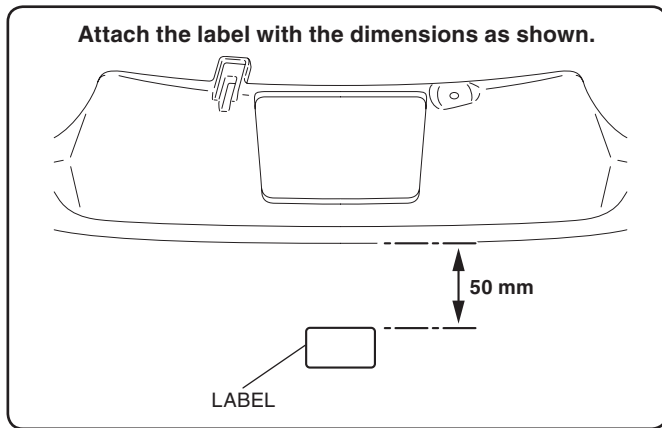
<Back side>



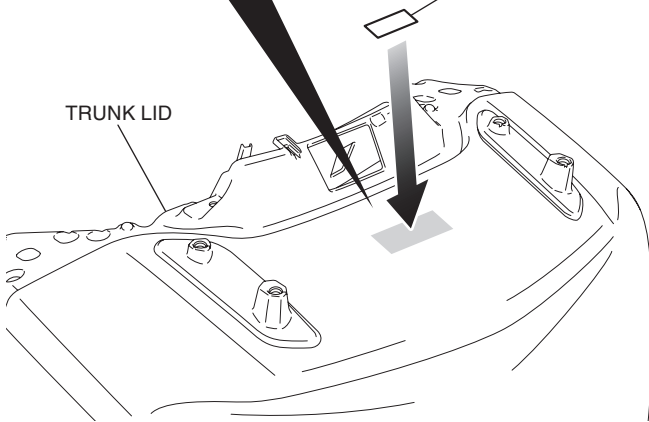
34. Clean the surface of the area shown using an isopropyl alcohol.



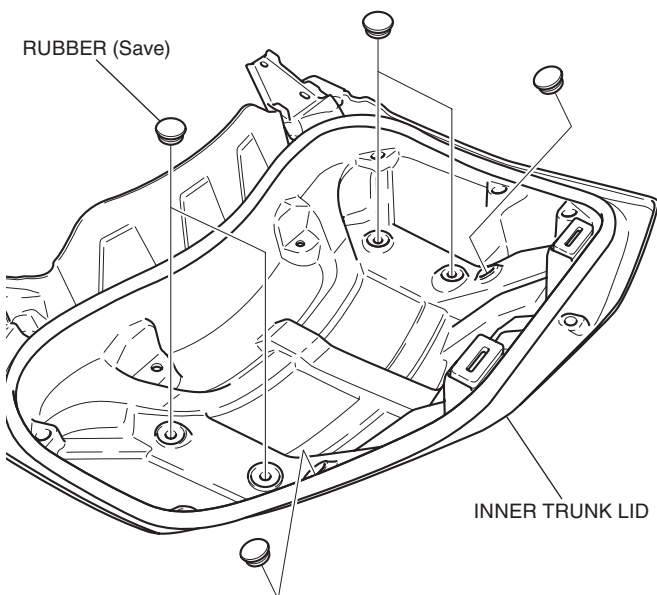
35. Attach the label as shown.



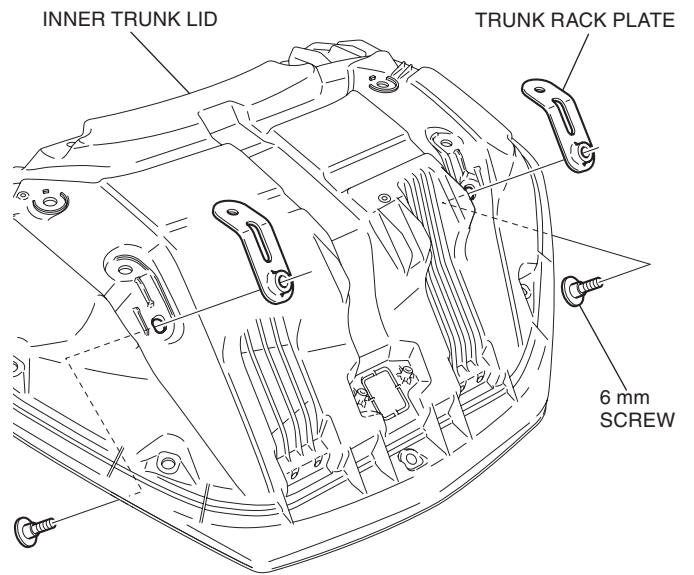
LABEL
Remove the adhesive backing before attaching.



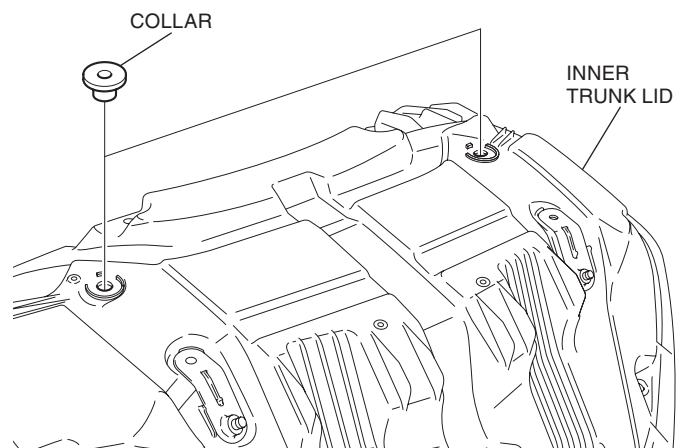
36. Remove the rubbers as shown.



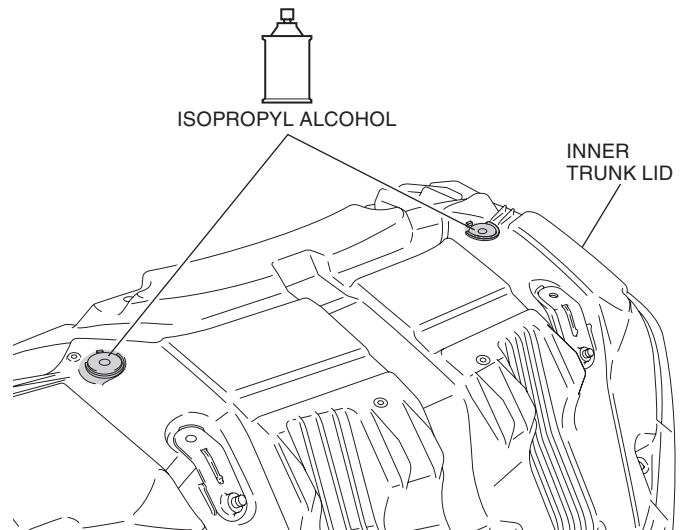
37. Install the trunk rack plates as shown.



38. Install the collars as shown.

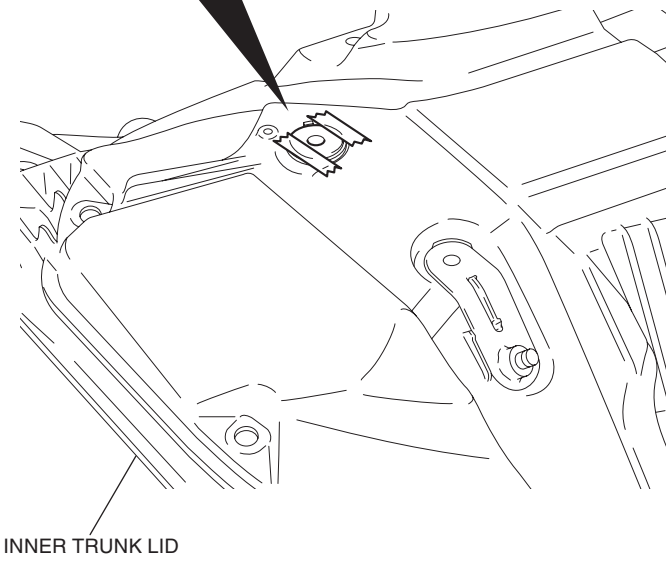
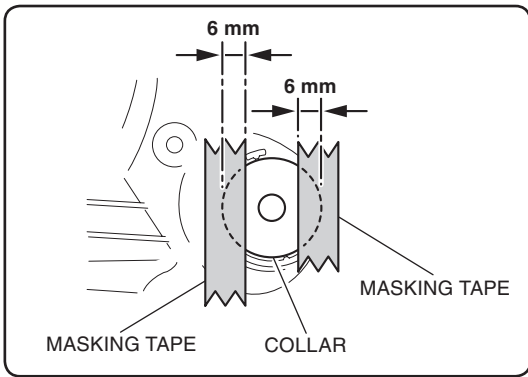


39. Clean the surface of the area shown using an isopropyl alcohol.

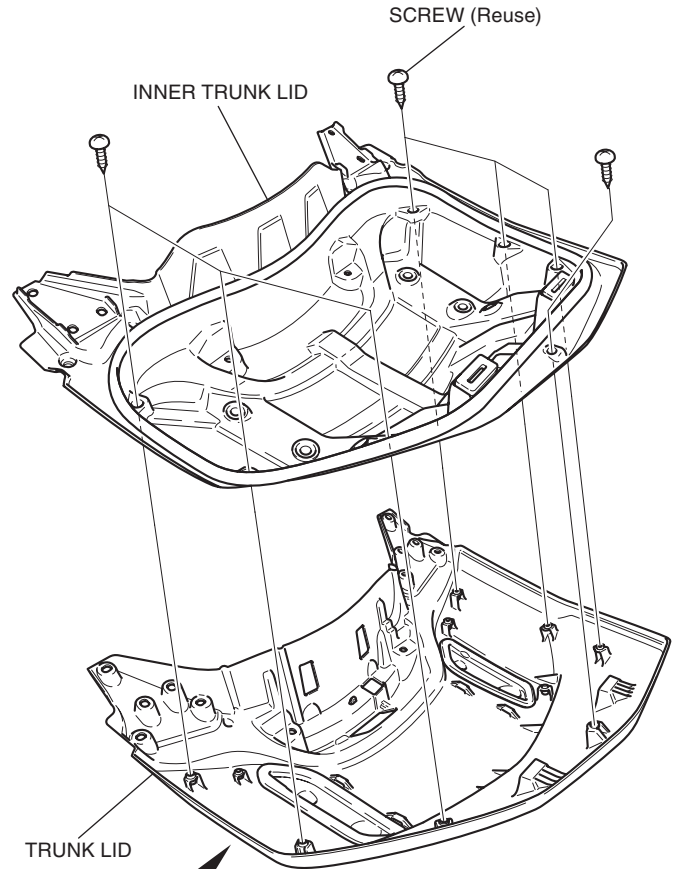



40. Attach the masking tape as shown.

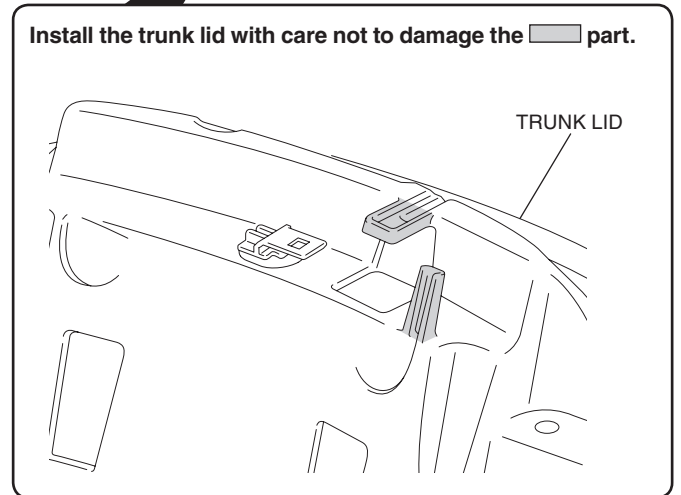
- Repeat on the right side.



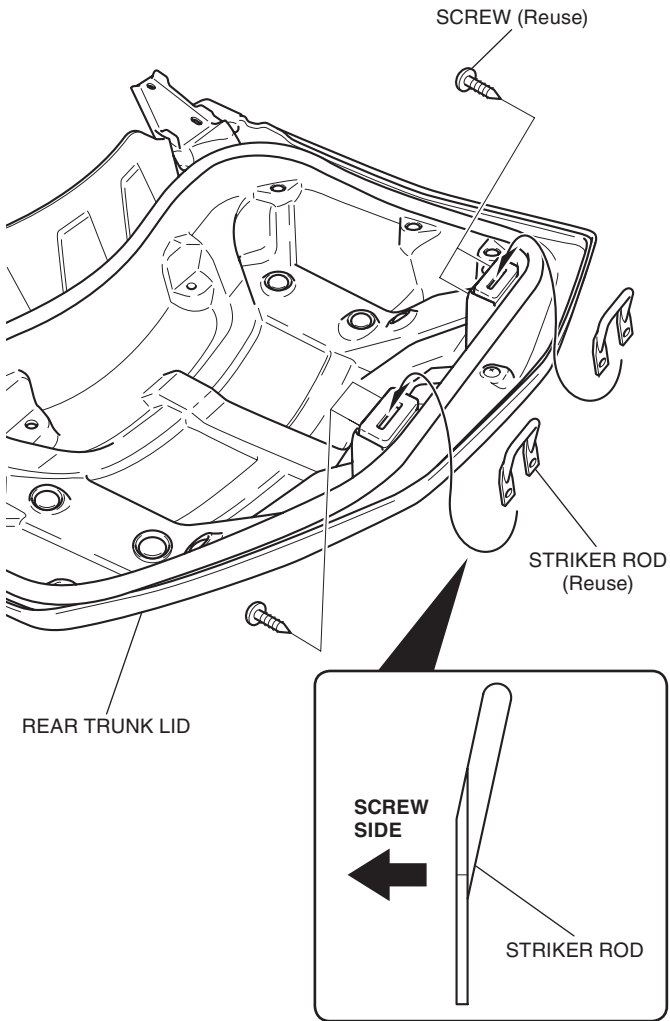
41. Install the inner trunk lid to the trunk lid as shown.



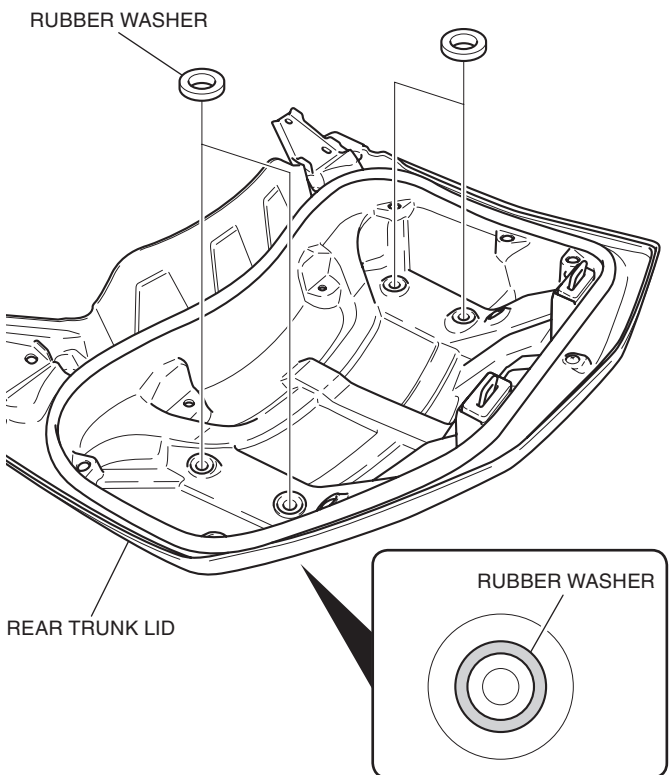
Install the trunk lid with care not to damage the  part.



42. Install the striker rods as shown.

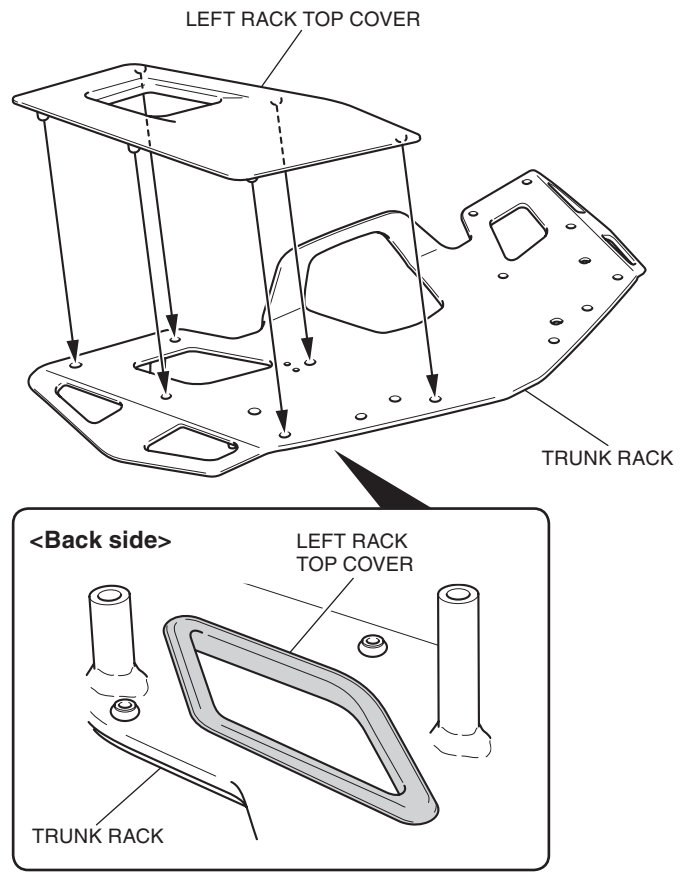


43. Put the rubber washers as shown.

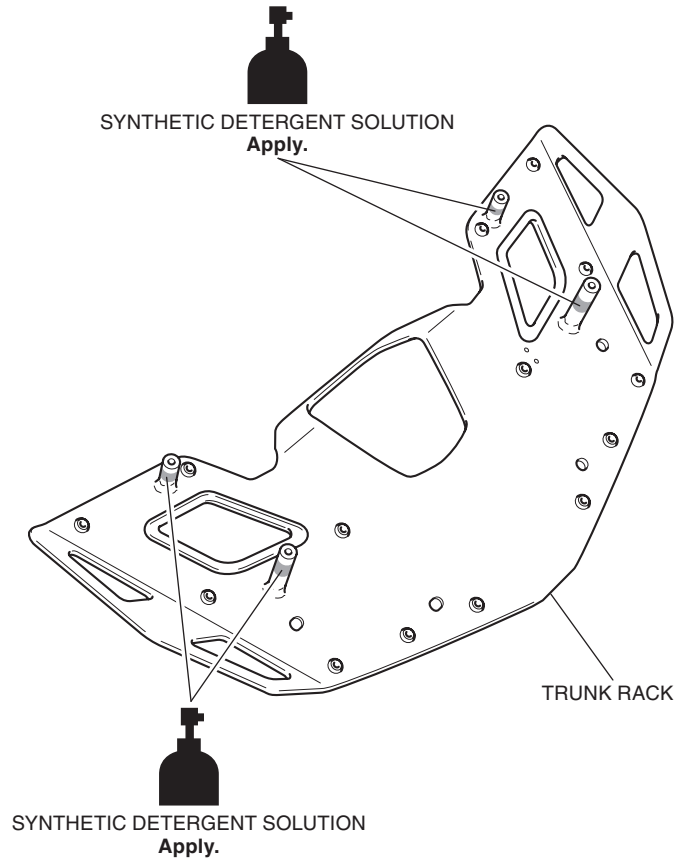


44. Install the left rack top cover as shown.

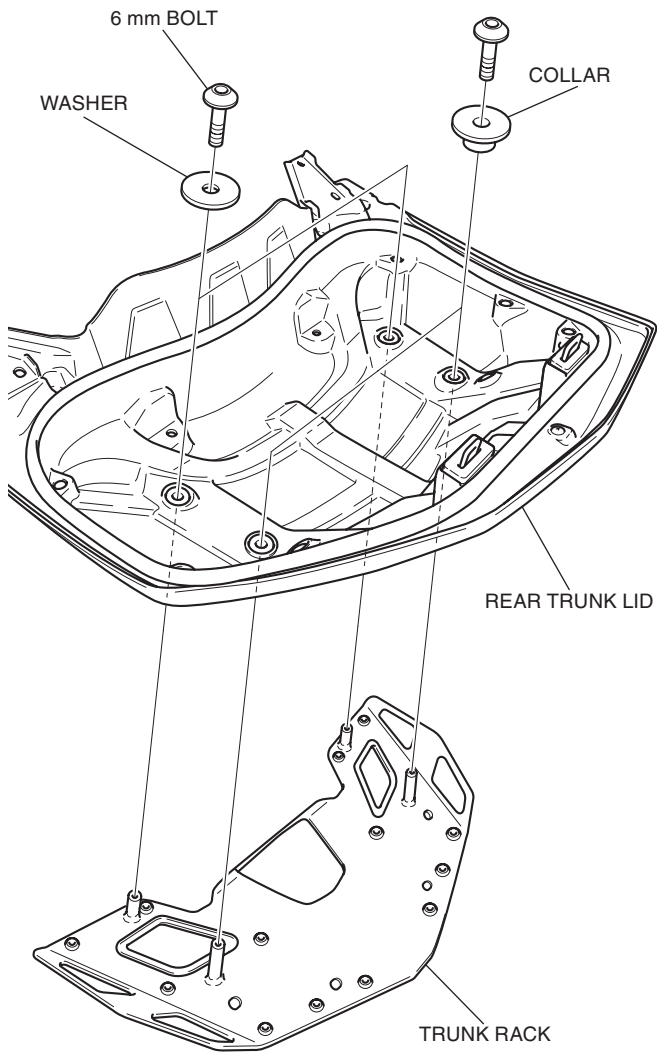
- Repeat on the right side.



45. Apply synthetic detergent solution to the position shown.



46. Install the trunk rack as shown.



47. Install the rear trunk lid in the reverse order of removal.

48. Install the motorcycle's parts in the reverse order of removal.

- **Confirm that any wire harness is not caught or too tight.**