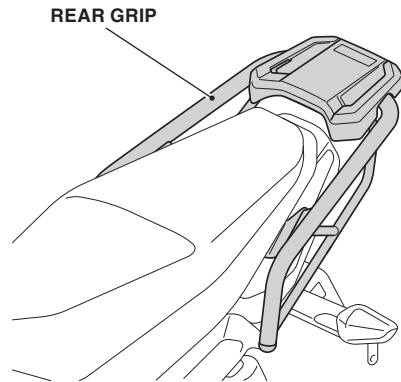
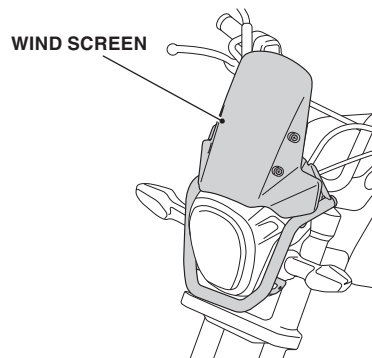


REAR GRIP

- The weight of the cargo must not exceed the following maximum loading capacity:
Only use rear grip: 3.0 kg (6.6 lb)
- Check the accessory mounts frequently and retighten if necessary.
- Clean this accessory with a soft cloth soaked with solution of mild detergent and water. Then wipe with a clean cloth soaked with water to clean dirt and detergent. Finally wipe dry with a soft, clean cloth.

WIND SCREEN

- Reduce speed when running in strong wind.
- Replace this accessory with a new one if it is damaged or discolored excessively.
- When this accessory becomes dirty, rinse it thoroughly with cool water to remove loose dirt, then wipe with a clean cloth or sponge.
Do not use a brush to clean this accessory as it may scratch the surface.
- Never use organic solvents such as gasoline, thinner and benzine to clean this accessory. Also do not use acid or alkaline cleaners to clean this accessory.
Wipe up spilled brake or battery fluid at once as they may damage the plastic surface.
- If the motorcycle is left covered for an extended period of time, park in the shade. Parking a covered motorcycle in direct sunlight can cause the windshield to deform due to heat buildup under the cover.
- Handle this accessory with care.
It can be damaged when it is bent excessively or is subject to strong shock or impact.
- Select a firm, level surface when you park the motorcycle.
Also bear in mind that strong wind can cause the motorcycle to topple to the ground.

MEMO