

# TOP BOX

Accessory Name	Parts Number	Application Model	Issue Date	Publication No.	FRT
TOP BOX	08L71-KZL-861	CRF300L/CRF300LA/	2020.11	MII	1.0 H
1 KEY BODY PARTS	08M71-KZL-841	CRF300LR/CRF300LRA			

**Introduction**







ALL INFORMATION, ILLUSTRATIONS, DIRECTIONS AND SPECIFICATIONS INCLUDED IN THIS PUBLICATION ARE BASED ON THE LATEST PRODUCT INFORMATION AVAILABLE AT THE TIME OF APPROVAL FOR PRINTING. Honda Motor Co., Ltd. RESERVES THE RIGHT TO MAKE CHANGES AT ANY TIME WITHOUT NOTICE AND WITHOUT INCURRING ANY OBLIGATION WHATSOEVER. NO PART OF THIS PUBLICATION MAY BE REPRODUCED WITHOUT WRITTEN PERMISSION. THIS MANUAL IS WRITTEN FOR PERSONS WHO HAVE ACQUIRED BASIC KNOWLEDGE OF MAINTENANCE ON Honda MOTORCYCLES, MOTOR SCOOTERS OR ATVS.

Honda Dealer:  
Please give a copy of these instructions to your customer.

Customer:  
Because it requires specialized knowledge and special tools and equipment, it is recommended to install it at a dealer with qualified automobile maintenance.

**How To Read These Symbols**

Your safety, and the safety of others, is very important. To help you make informed decisions we have provided safety messages and other information throughout this manual.

-  **WARNING** You CAN be KILLED or SERIOUSLY HURT if you don't follow instructions.
-  **CAUTION** You CAN be HURT if you don't follow instructions.
-  **NOTICE** The purpose of this message is to help prevent damage to your vehicle, other property, or the environment.
-  **NOTE** Things you want to know, things that are useful to know.
-  Follow the instructions of the Service Manual.
-  Follow the other symbol instructions of the "Installation Instructions BASIC".

Instruction Other Symbols  
The symbols used throughout this instructions show specific service procedures. Refer to "Installation Instructions BASIC" for description of each symbol.

# INFORMATION

 **CAUTION**

- To prevent burns, allow the engine, exhaust system, radiator, etc., to cool before installing the accessory.

**NOTICE**

- Take care not to damage the painted surfaces of the motorcycle.

NOTE:  
• Save all removed parts unless otherwise indicated.

## PARTS LIST

When the instruction manual and installation instructions are included in this kit, be sure to give them to the customer.

Component	No.	Parts Name	Qty	Parts No.
	(1)	Top box	1	-
	(2)	Lock assembly	1	81100-KTG-840
	(3)	Cam plate	1	-
	(4)	Spring	1	75581-673-000
	(5)	6×16 mm socket bolt	4	08L55-KTF-80032
	(6)	Collar	4	08L55-KTF-80024
	(7)	6 mm nut	4	08L55-KTG-80022
	(8)	Lock washer	1	77236-GZ5-000
	(9)	Spacer	1	81105-KVZ-600

Component	No.	Parts Name	Qty	Parts No.
	(10)	Cylinder body	1	-
	(11)	Inner joint	1	-
	(12)	Set ring	1	-
	(13)	Washer	1	-
	(14)	E-ring	1	-

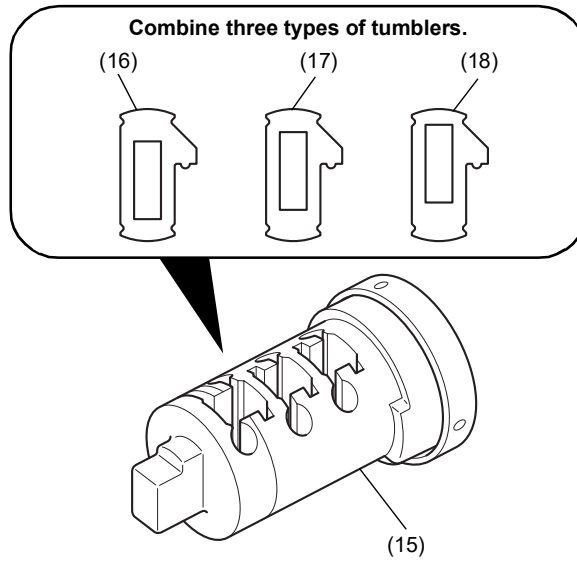
Component	No.	Parts Name	Qty	Parts No.
	(15)	Inner cylinder	1	-
	(16)	Tumbler A (Gold)	5	-
	(17)	Tumbler B (Silver)	5	-
	(18)	Tumbler C (Gold)	5	-
	(19)	Spring (Silver)	10	-
	(20)	Stopper tumbler	3	-
	(21)	Stopper spring (Black)	3	-
	(22)	Grease	1	-

## TORQUE INFORMATION


Refer to the Service Manual for the torque values of the removed parts. (M)

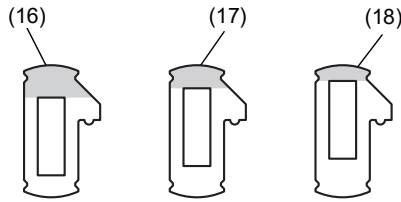
**< Notes regarding the key cylinder >**

- This product is used to assemble a key cylinder matching the motorcycle key by combining three types of tumblers.
- When this key cylinder is installed in a box or similar equipment, the installed equipment can be operated with the motorcycle key.

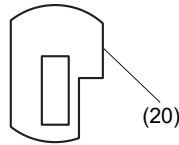


# INSTALLATION

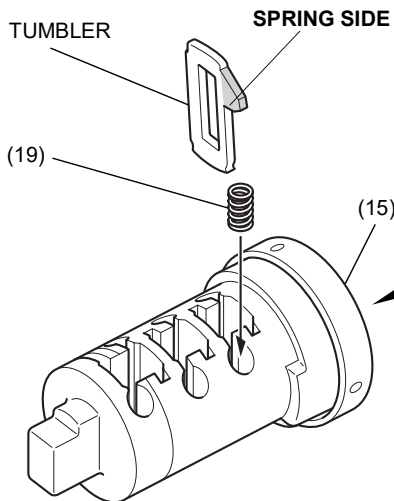
1. The three tumbler types shown are provided.
- The  part has a different width for each of the three tumbler types.
  - As the tumblers are small, keep them in the bag until they are used.



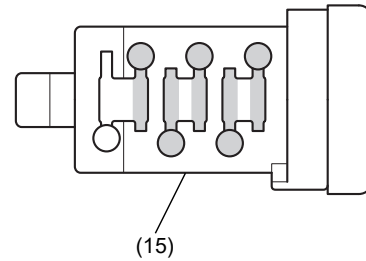
The stopper tumbler (20) will be used later.



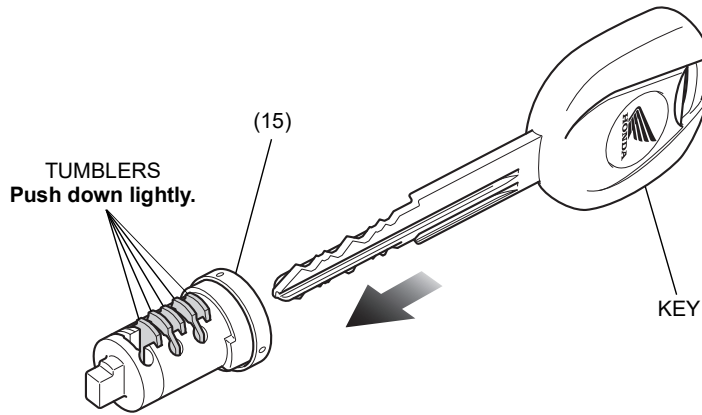
2. Install the tumblers (16)~(18) and springs (silver) (19) as shown.
- Install five tumblers of the same type.



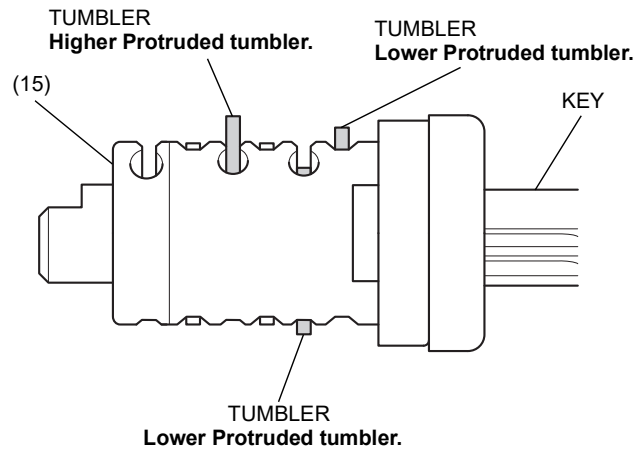
Insert tumblers and springs at the indicated positions.



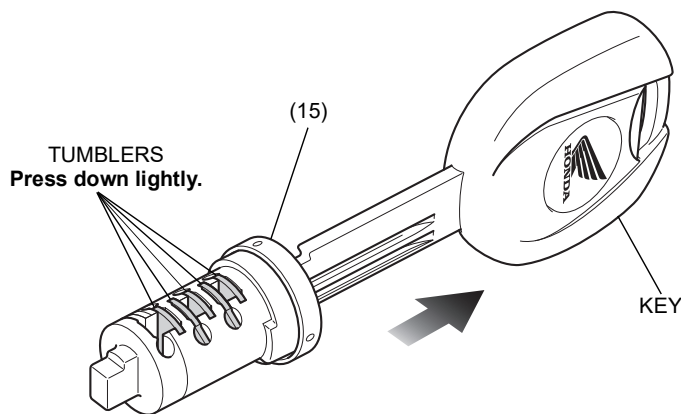
3. Insert the key as shown.
- Lightly push down on the tumblers from above, then insert the key.



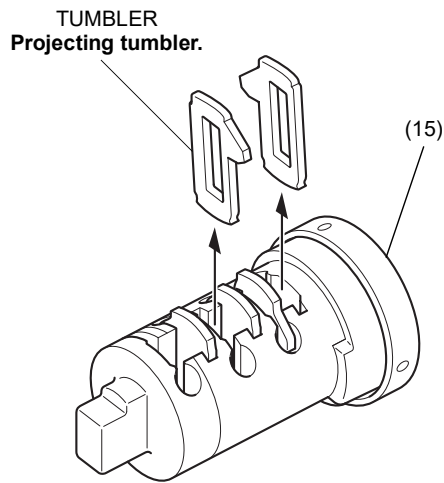
4. Confirm that some tumblers are projecting. Mark the positions of the projected tumblers.
- The positions where tumblers project and the projecting height differ according to the key.



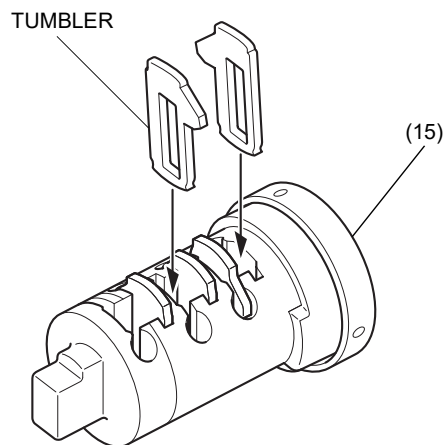
5. Press down lightly on the tumblers, pull the key out.
- The tumbler springs may jump out if the tumblers are not pressed down lightly.



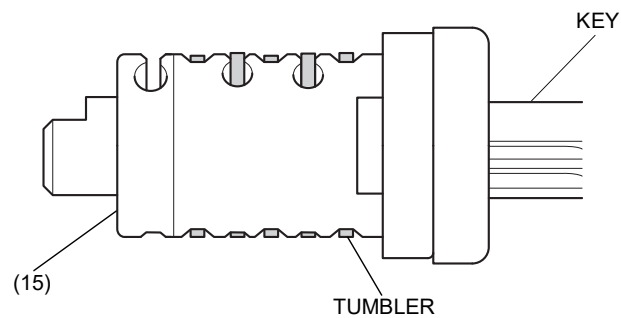
6. Pull out the projecting tumbler(s).  
• **Leave the spring(s) installed.**



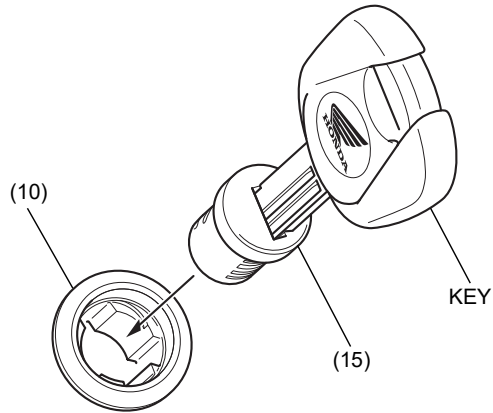
7. Insert a different tumbler(s) at the marked positions.



8. Repeat steps 4 to 8, inserting different tumblers at the marked positions until no tumblers are projected.  
• **Lightly push down on the tumblers from above, then insert the key.**

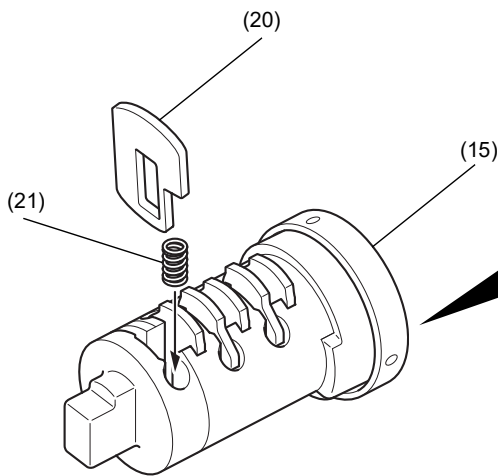


9. Install as shown.
- Confirm the inner cylinder (15) turns clockwise smoothly.

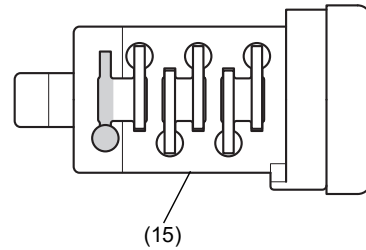


10. Pull out the inner cylinder (15), and push down lightly on the tumblers and pull out the key.

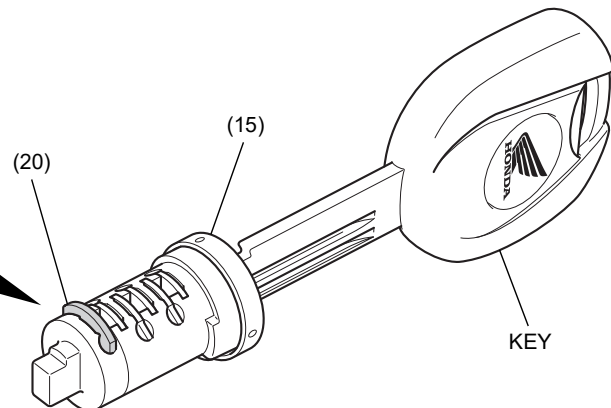
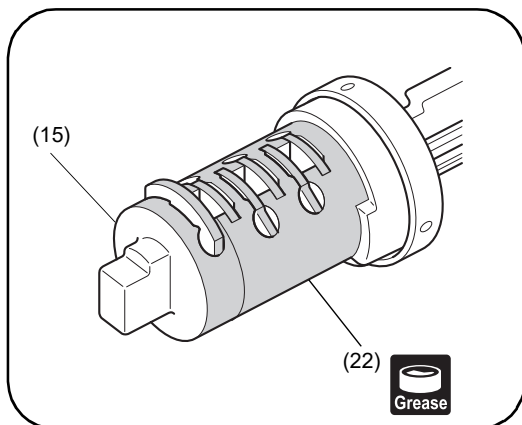
11. Install as shown.



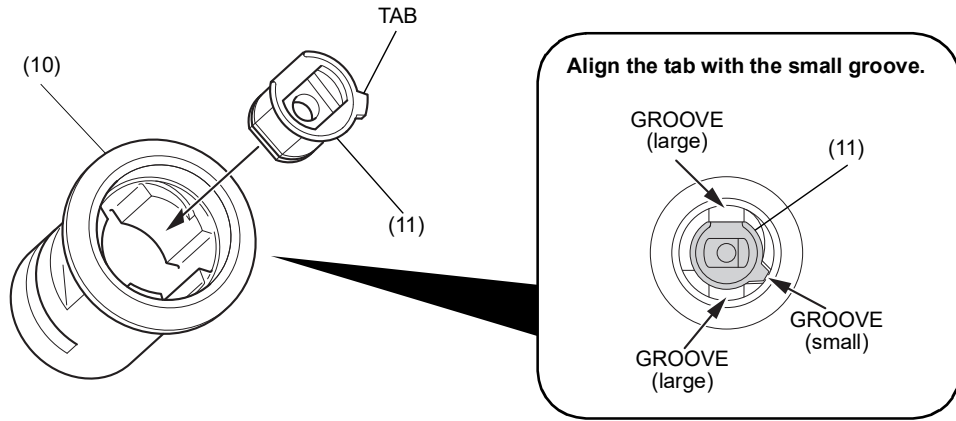
Insert the stopper tumbler (20) and a stopper spring (21) at the shaded position.



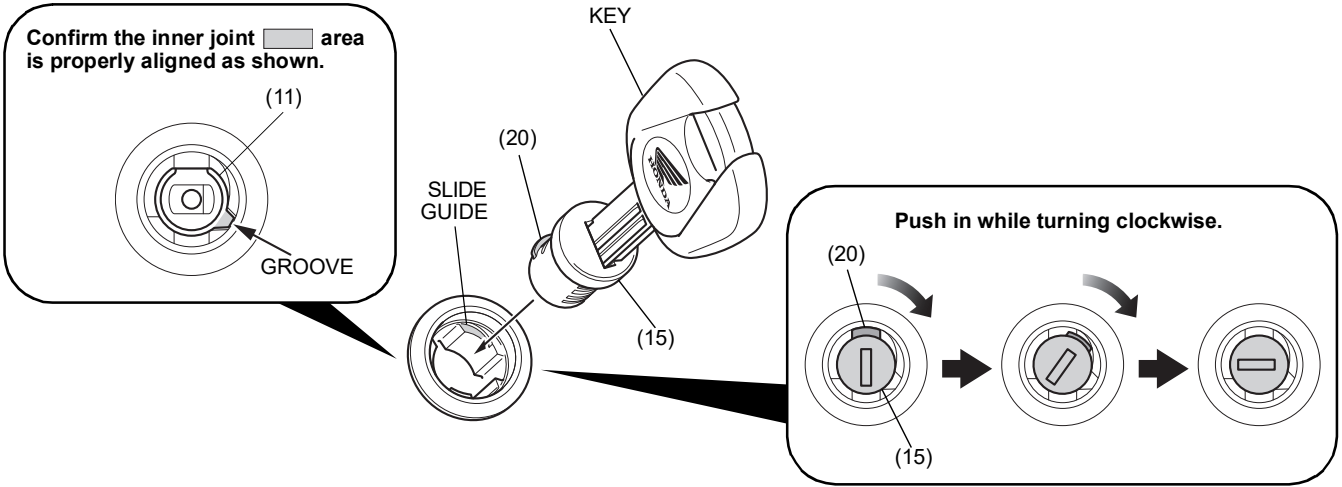
12. Insert the key as shown.
- Lightly push down on the tumblers from above, then insert the key.
  - Confirm that the stopper tumbler jumps out.



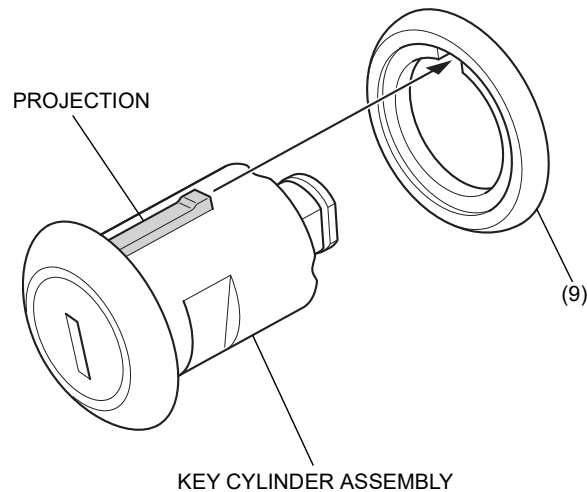
13. Install as shown.



14. Install as shown.  
 • If the inner cylinder cannot be inserted, again confirm that no tumblers other than the stopper tumbler have jumped out.

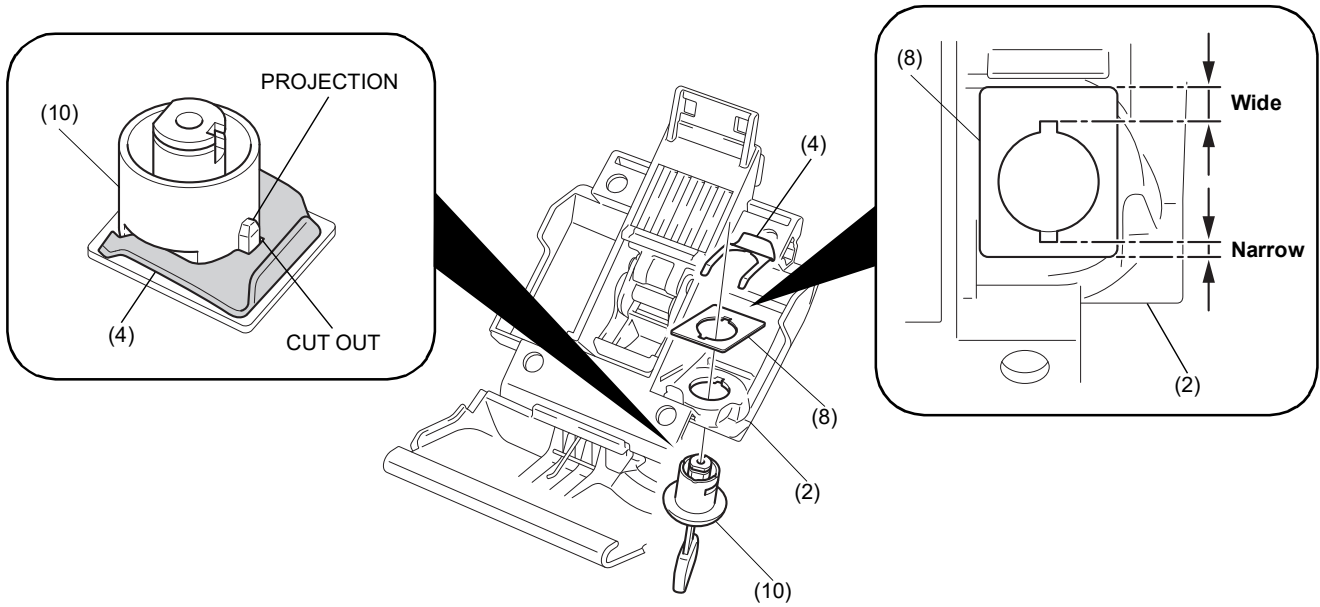


15. Install as shown.

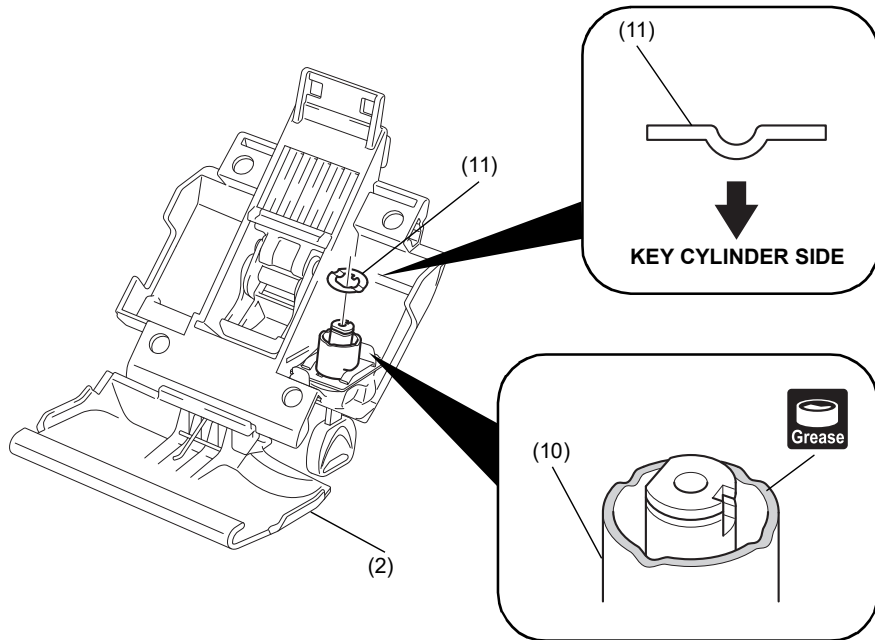




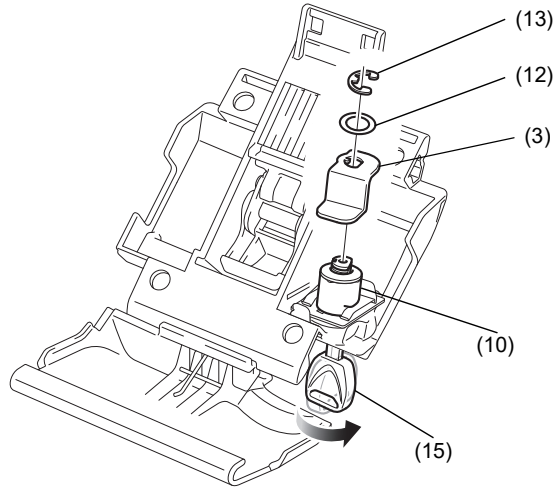
16. Install as shown.



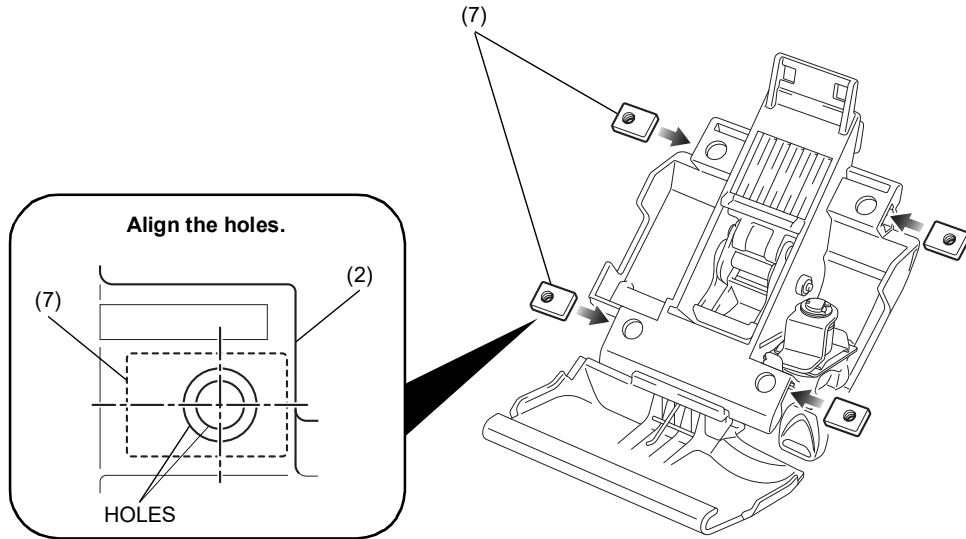
17. Install as shown.



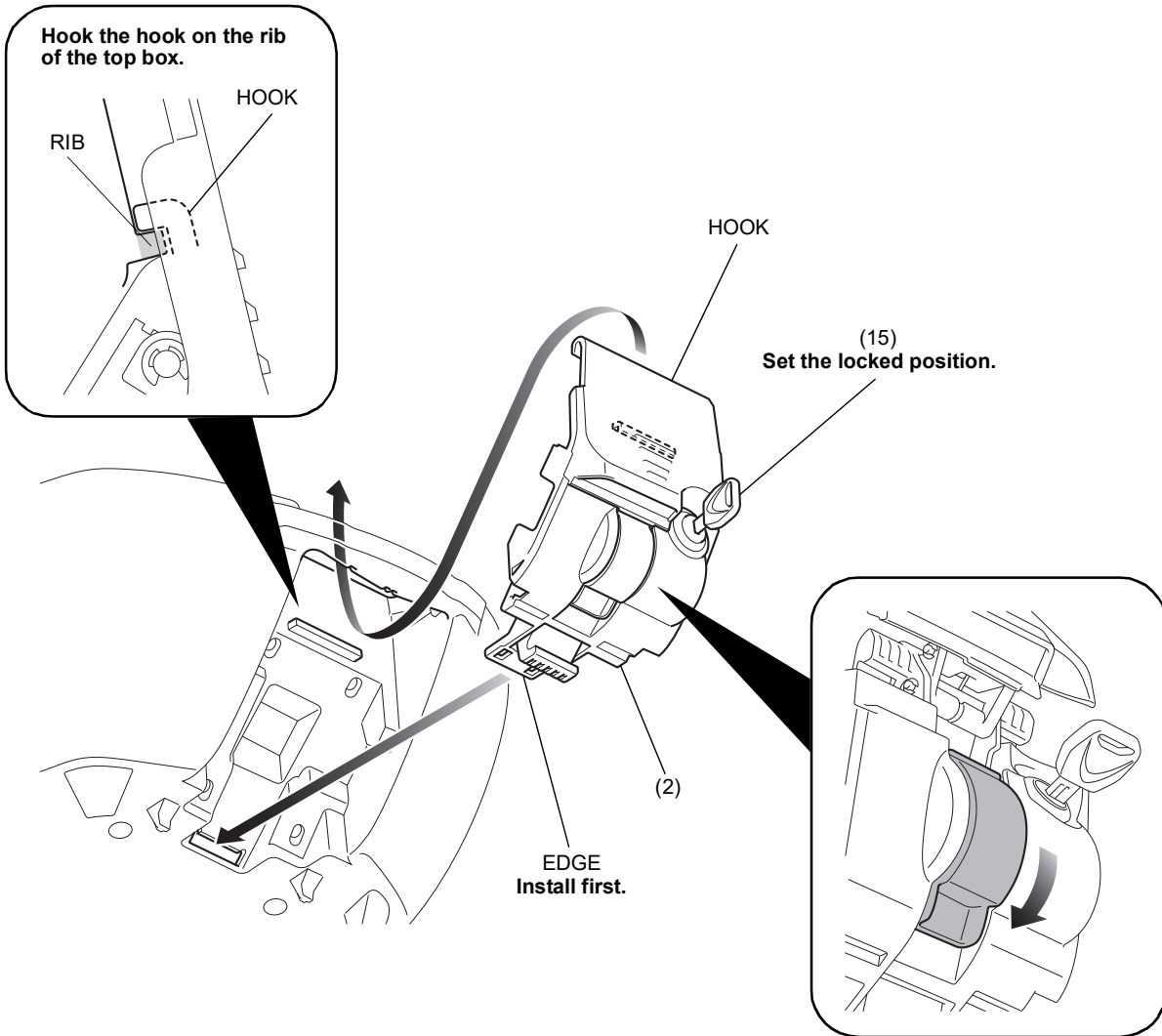
18. Install as shown.  
• Align the projection of the cam plate with the cut out of the inner joint.



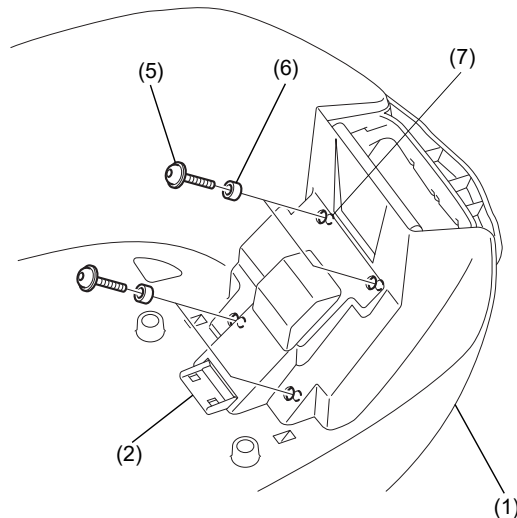
19. Install as shown.



20. Install as shown.



21. Install as shown.



22. Confirm the opening / closing the lid and the installation / removal of the top box while referring to the Genuine Accessory User's Guide.