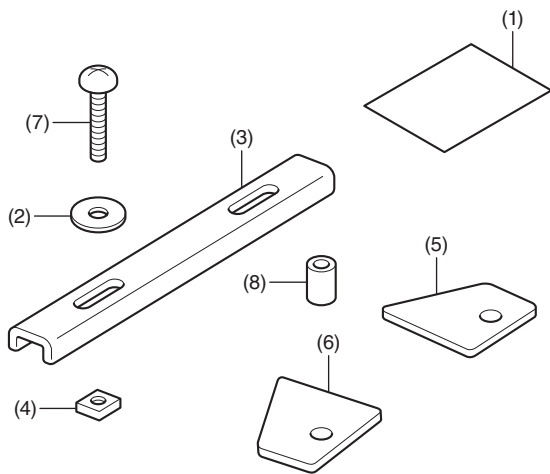


Honda Dealer: Please give a copy of these instructions to your customer.

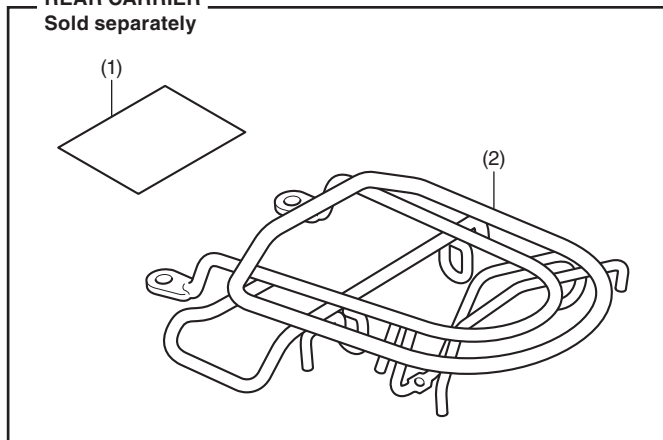
PARTS LIST



No.	Description	Qty
(1)	Installation Instruction URL	1
(2)	6 mm washer	4
(3)	Basket stay	1
(4)	Square nut	2
(5)	Right stay	1
(6)	Left stay	1
(7)	6 mm screw	4
(8)	Collar	4

REAR CARRIER

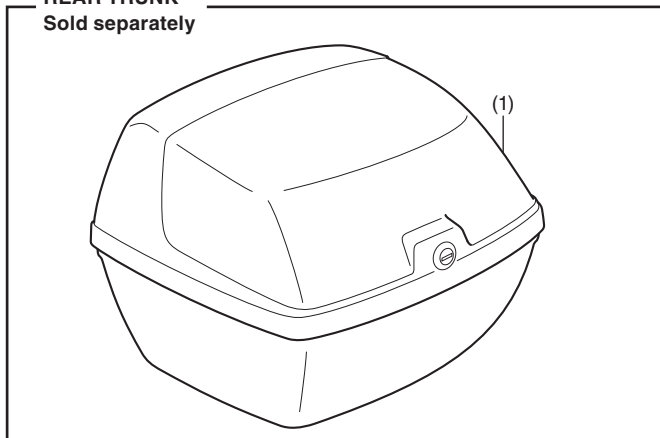
Sold separately



No.	Description	Qty
(1)	Installation Instruction URL	1
(2)	Rear carrier	1

REAR TRUNK

Sold separately



No.	Description	Qty
(1)	Rear trunk	1

TOOLS AND SUPPLY REQUIRED

- Phillips® screwdriver
- Electric drill
- Drill bit (11 mm)
- Wood block
- Torque wrench

TORQUE CHART

Tighten all screws, bolts, and nuts to their specified torque values. Refer to the Service Manual for the torque values of the removed parts.

Item	N-m	kgf-m	lbf-ft
6 mm screw	9	0.9	6.6

MAXIMUM LOADING CAPACITY

- The weight of the cargo must not exceed the following maximum loading capacity:

Maximum Loading Capacity	
Rear trunk	2.2 lb (1.0 kg)

INSTALLATION

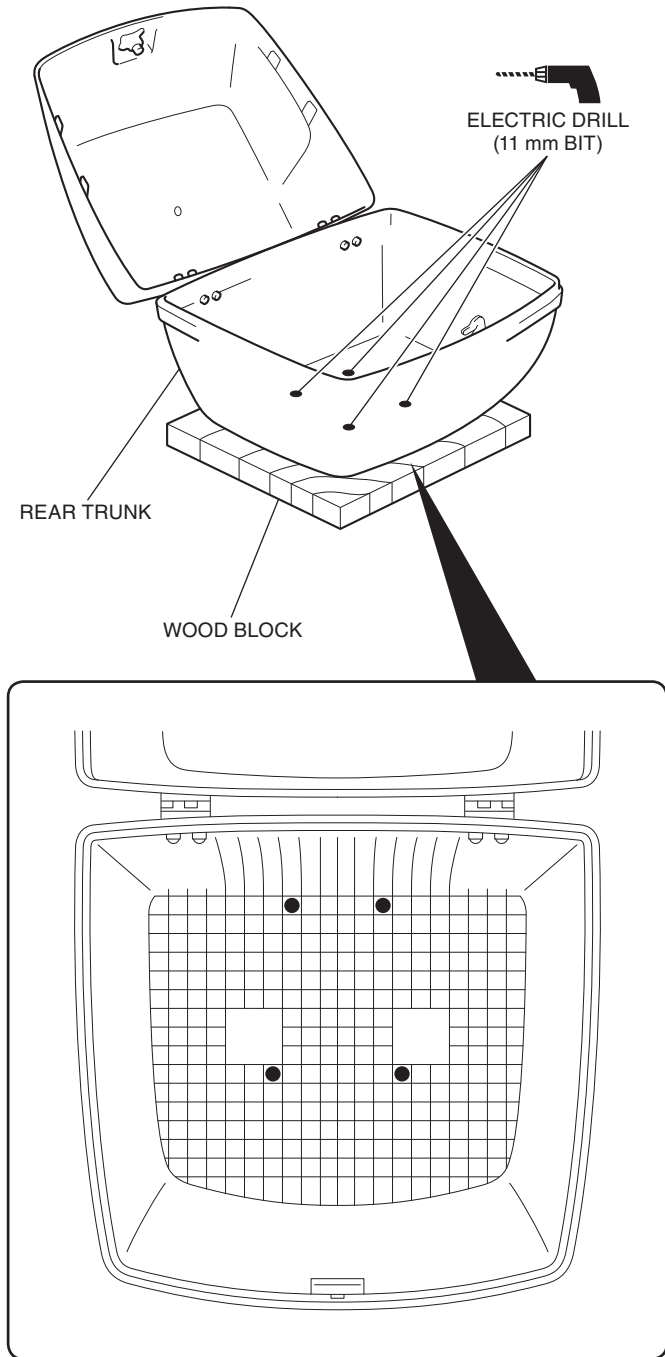
▲ CAUTION

- To prevent burns, allow the engine, exhaust system, radiator, etc., to cool before installing the accessory.

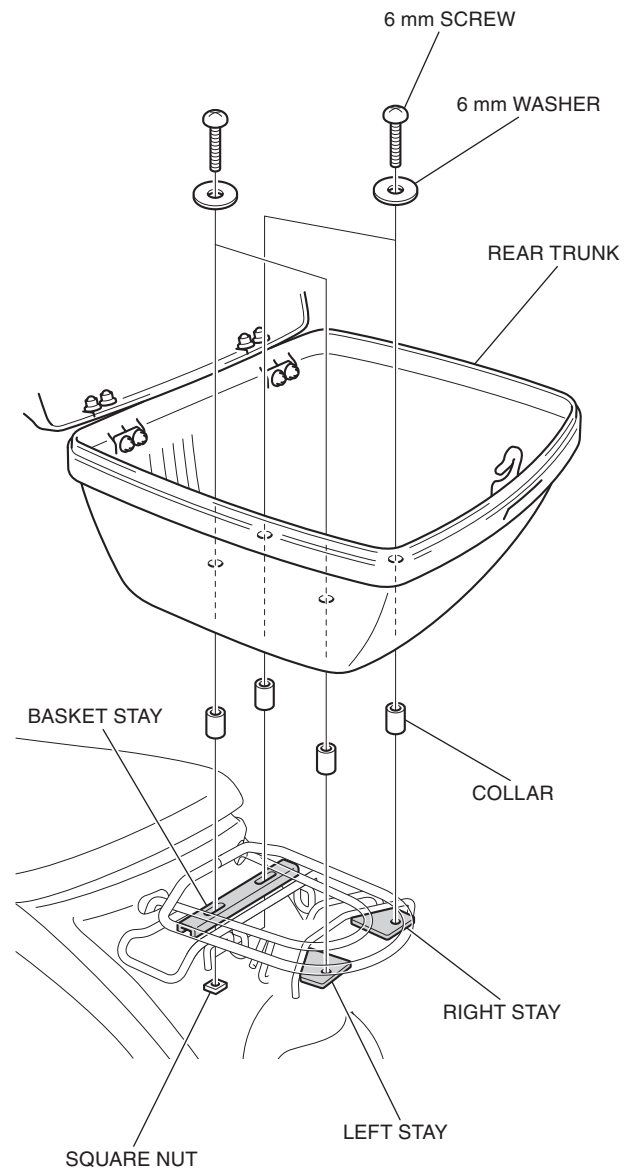
NOTE:

- Take care not to damage the painted surfaces of the scooter.
- Check the accessory mounts frequently and retighten if necessary.
- When removing any other accessory that is required to install this accessory, follow these instructions only.

1. Refer to the *Installation Instruction* of the rear carrier. Install the rear carrier.
2. Drill holes at the specified positions as shown.
 - **Remove any burrs from the edges of the holes.**



3. Loosely install the rear trunk as shown.
 - **First install the left and right stays, then install the basket stay.**



4. Tighten all loosely installed hardware to the specified torque value.