



INSTALLATION INSTRUCTIONS

Accessory

SADDLE BAG SET
P/N 0SH55-KRH-A00

Application

XR150L

Publication No.

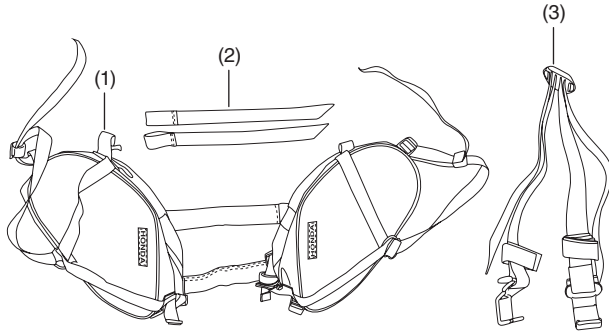
MII 17935

Issue Date

April 2023

Honda Dealer: Please give a copy of these instructions to your customer.

PARTS LIST



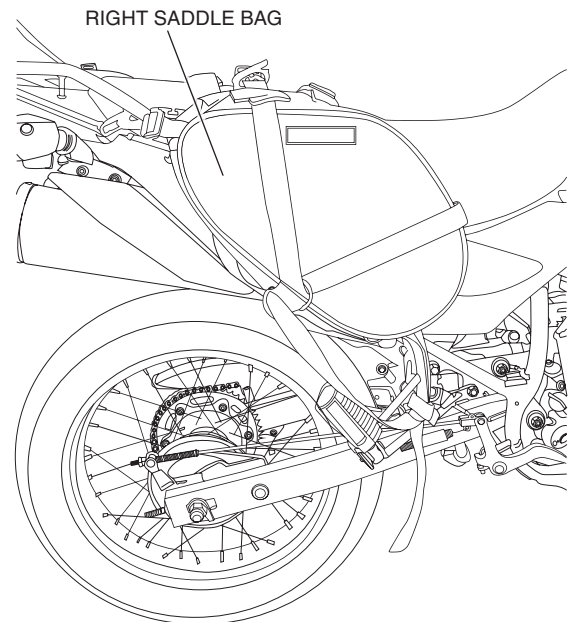
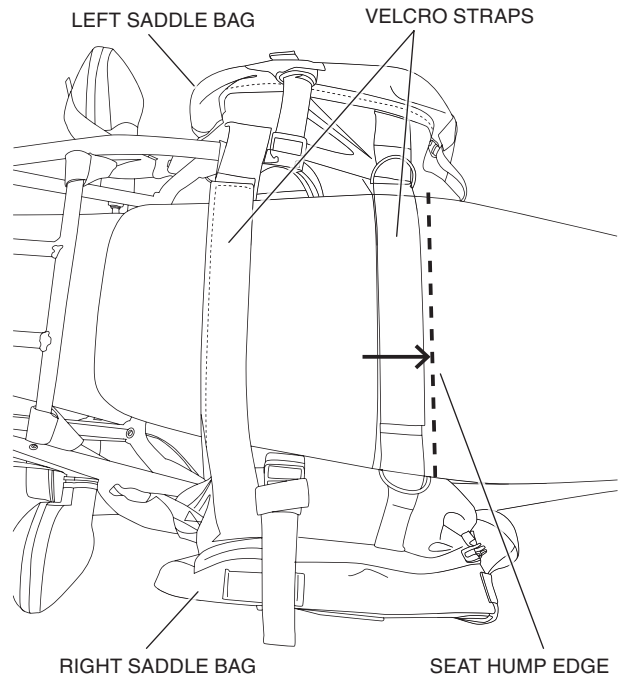
No.	Description	Qty.
(1)	Saddle bag set (R & L)	1
(2)	Loop straps	2
(3)	Tension mounting strap (not for use on XR150 application)	1

USE AND CARE INFORMATION

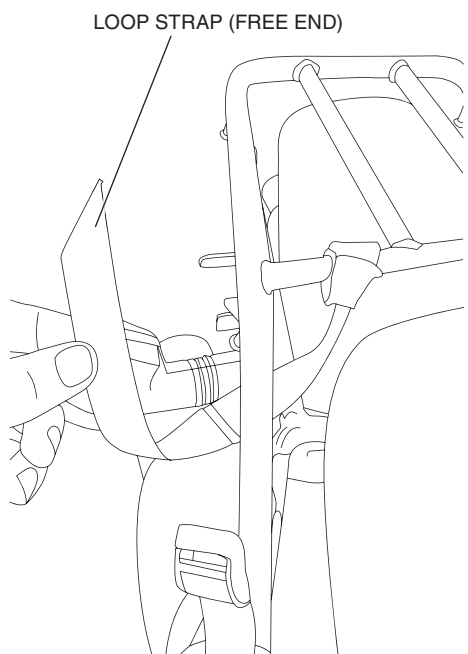
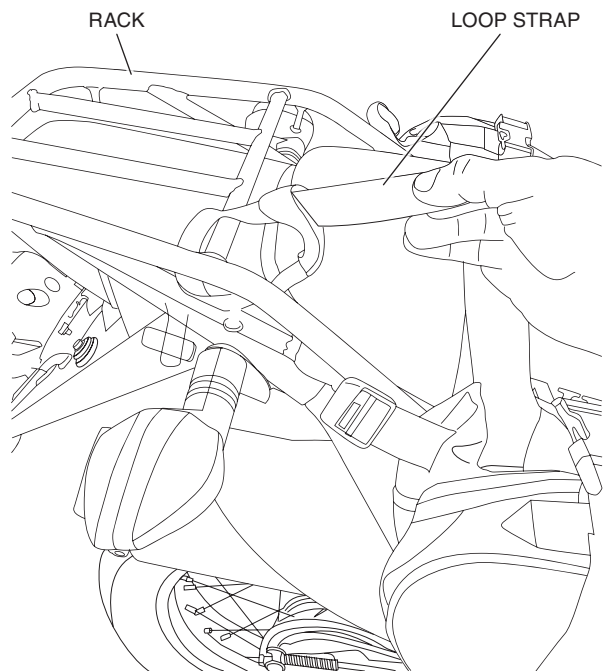
- The weight of the cargo must not exceed 10 lbs.
- Clean the motorcycle before installing bags to avoid trapping dirt & dust between side covers and the saddle bags.
- Clean both sides of the contact area between the bag and the motorcycle frequently to avoid abrasions on the motorcycle body.
- Clean the bags with warm soapy water and a sponge or soft brush and let air dry. Do not use in a washing machine or dryer.
- Check straps periodically and re-tighten as needed.
- Make sure there are no loose strap ends that could become entangled with moving parts of the motorcycle. Check strap management periodically.
- Make sure to keep the bags away from exhaust or any hot parts on the vehicle.

INSTALLATION

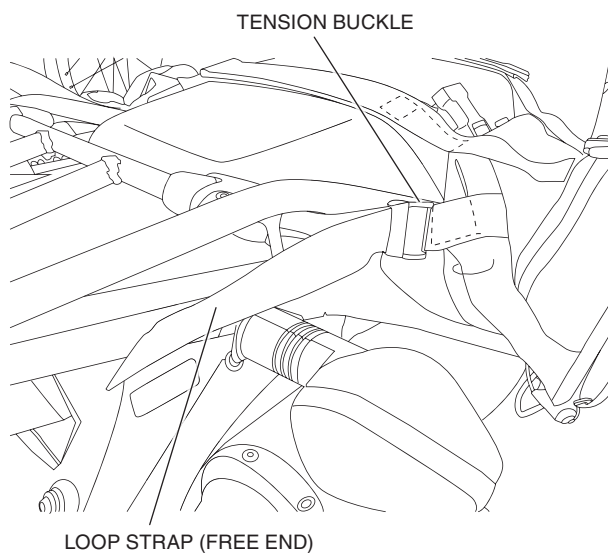
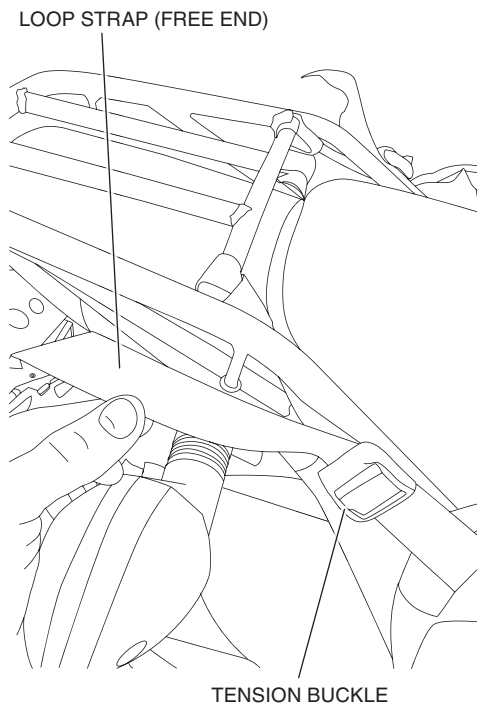
1. Place the saddle bags over the seat as shown below. Adjust height of both sides of the bags and make sure the connecting velcro straps are fully engaged with each other. Final position of the bags should follow the pictures in order to keep them away from hot or moving parts.



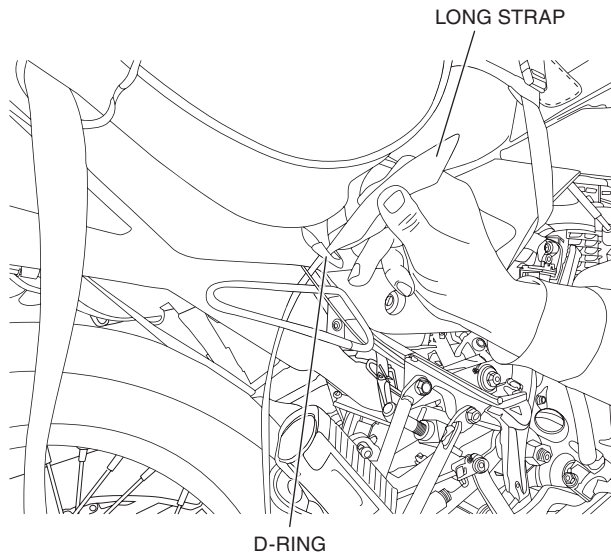
2. Using one of the loop straps, route the free end through the loop end of the strap securing it to the right-side front corner of the rack as shown in the pictures below. Pull end of strap tight then route the free end through the rack.



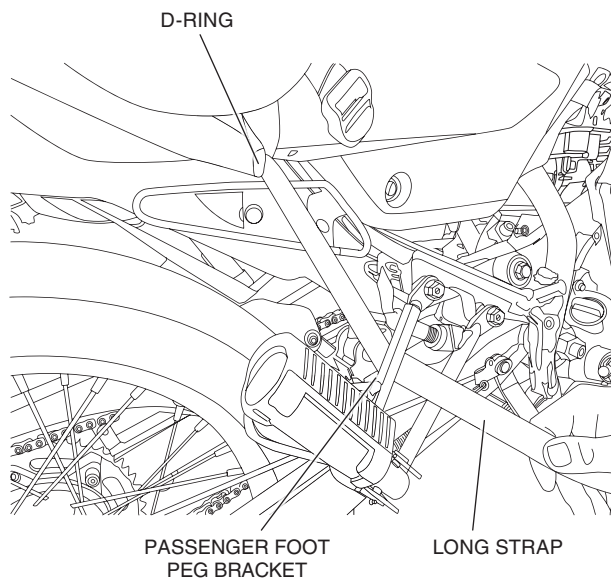
3. Locate the tension buckle on the back side of the saddle bag and weave the strap through the 2 slots in the buckle and pull it away from the bag to tighten. Repeat steps 2 & 3 on the left side.



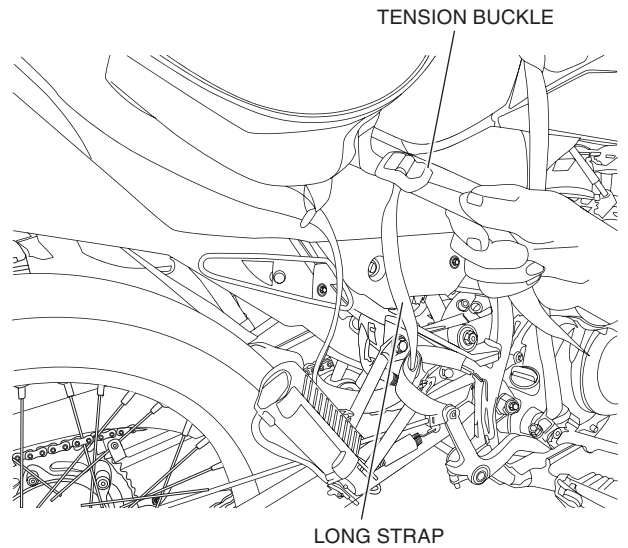
- To secure the right-side front part of the bag, locate the long strap that is sewn onto the bag and route it through the lower D-ring as shown below.



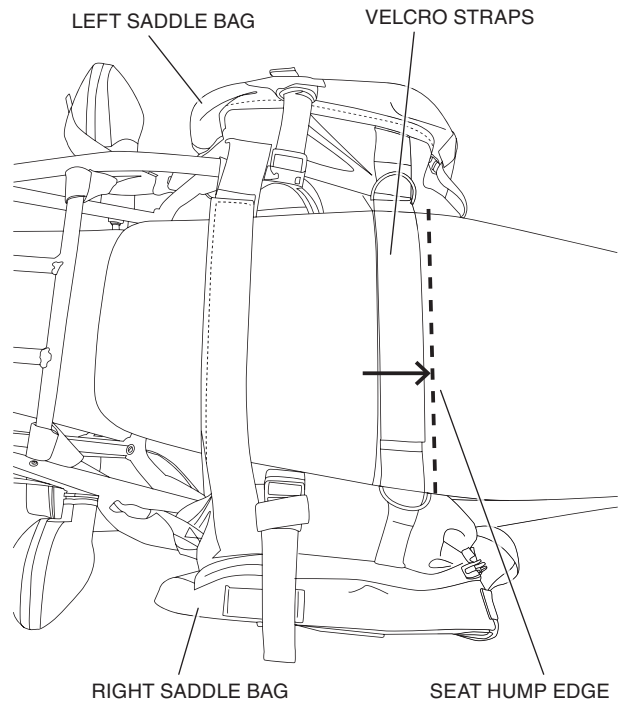
- Next route the strap through the passenger foot peg bracket as shown below.



- Weave the end of the strap through the tension buckle and tighten by pulling the strap end away from the bag. Repeat steps 4, 5 & 6 for the left side bag.

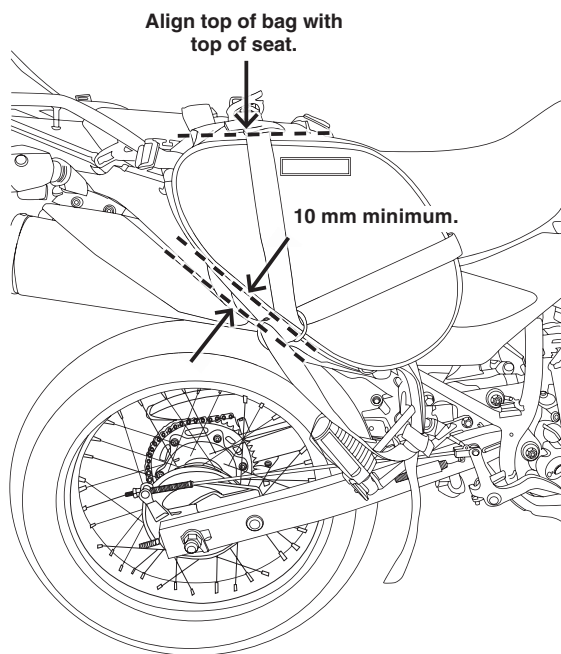


- Looking at the top view, adjust the bag position so the front-most velcro straps are no further forward than the seat hump edge.



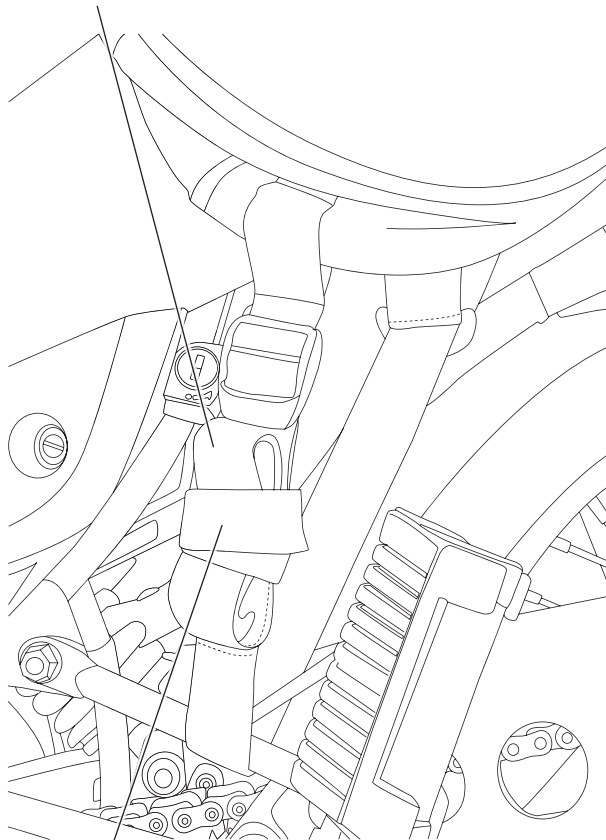
8. Looking at the right side view, adjust the bag position such that the lower edge of the bag is at least 10 mm from the side cover edge. Repeat for left side.

NOTE: Make sure to keep the bags away from exhaust or any hot parts on the vehicle.



9. After saddle bags are in position, roll up the extra strap length and secure the rolled strap using the velcro band as shown in the picture below.

ROLLED UP STRAP



VELCRO BAND

NOTE: Before you ride, make sure all excess length of strap is well-secured and away from any moving parts.

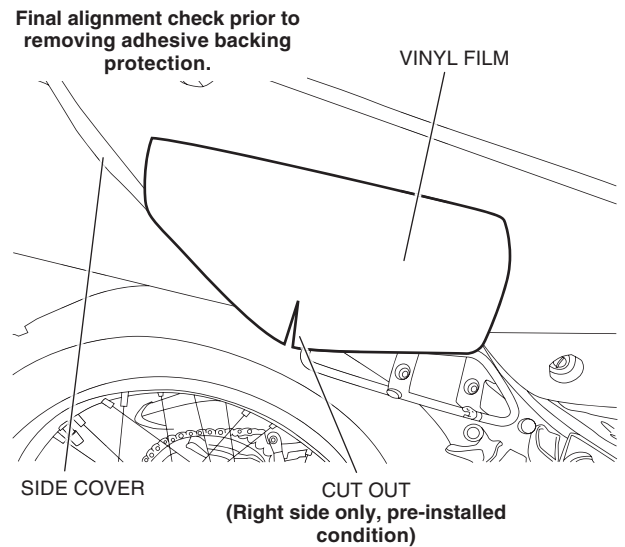
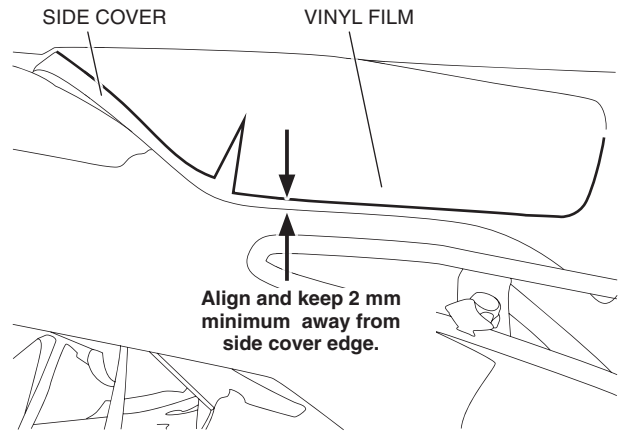
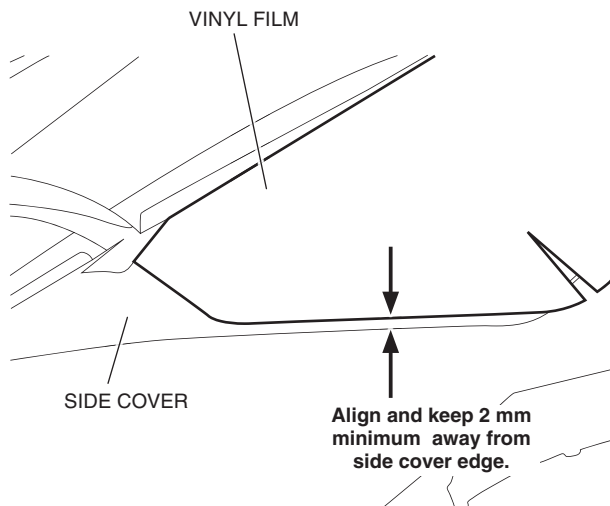
INSTRUCTIONS FOR USE OF OPTIONAL VINYL FILM TEMPLATES

For added protection of motorcycle body surfaces, Honda offers sheets of vinyl film to be purchased separately and cut to fit your bike using template attached below.

The product below contains 1 sheet which is sufficient for the saddle bag templates, and can be ordered separately from American Honda.

PROTECTOR SEAL 08P70-MGE-D20

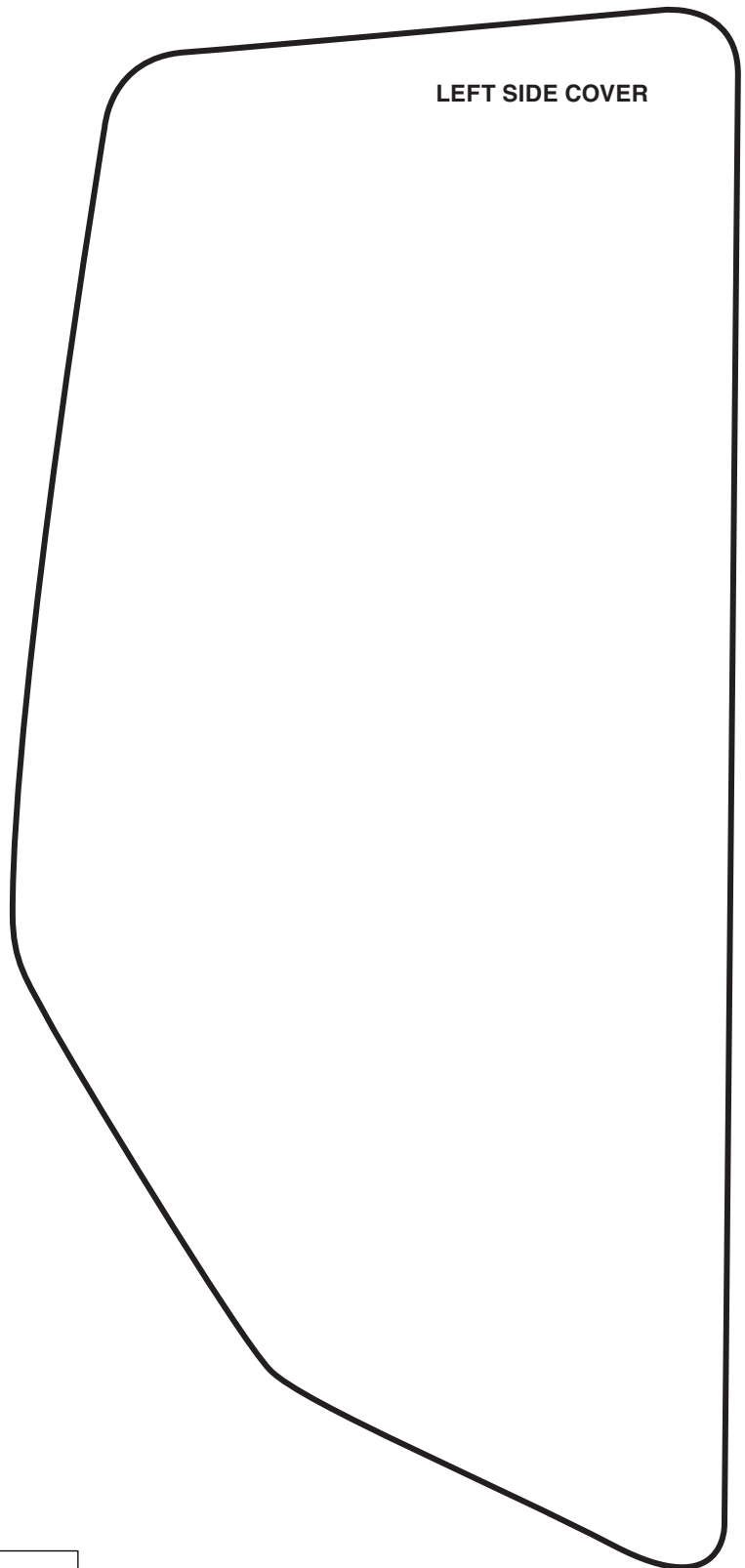
1. Print out the templates at the end of these instructions. Make sure the printed template size is correct by confirming the actual length measurement on the scale legend shown. Once size is confirmed correct, use a pair of scissors to cut out the paper templates.
2. Place a sheet of the protector seal vinyl film on the table/work area with the shiny side up ("3M" logo facing down). Place the right side paper template on top of the vinyl film with "RIGHT SIDE COVER" label facing up. Using a black marker, trace the paper template shape onto the vinyl film. Once complete, cut out the template shape on the vinyl film.
3. Before removing the backing, dry fit the vinyl film template onto the motorcycle cover by aligning as shown in the pictures below. It may be helpful to use small pieces of tape to hold the template in place while fine-tuning the intended alignment. Also note the narrow triangular cut-out in the template. This cut out accounts for curvature in the side cover and should be closed (edges touching) by the end of the installation process. When ready, remove the adhesive backing protection from the vinyl film and affix the vinyl film to the side cover.



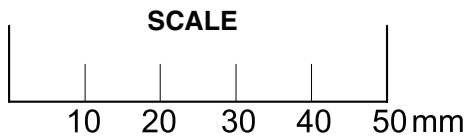
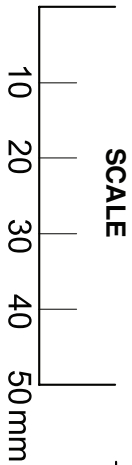
4. Repeat steps 2 & 3 above for the left side template.

TEMPLATE FOR OPTIONAL VINYL FILM (LEFT SIDE)

Print templates at 1:1 scale to ensure proper fit during installation.



LEFT SIDE COVER



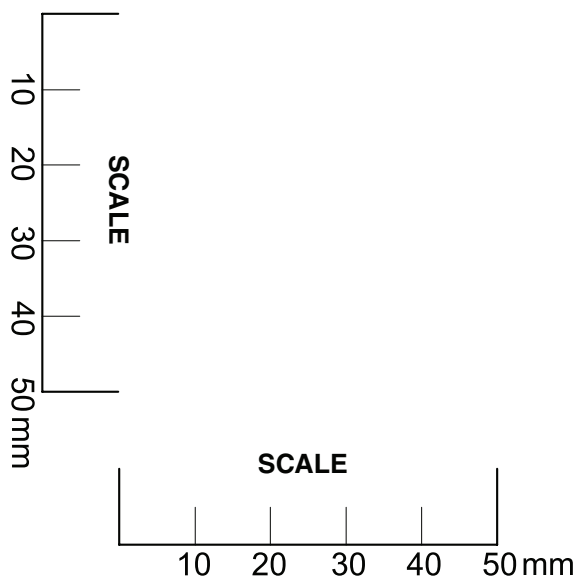
NOTICE

If you print this template from your local computer, make sure the printer settings do not "scale" or "shrink" the page.

TEMPLATE FOR OPTIONAL VINYL FILM (RIGHT SIDE)

Print templates at 1:1 scale to ensure proper fit during installation.

RIGHT SIDE COVER



NOTICE

If you print this template from your local computer, make sure the printer settings do not “scale” or “shrink” the page.