



INSTALLATION INSTRUCTIONS

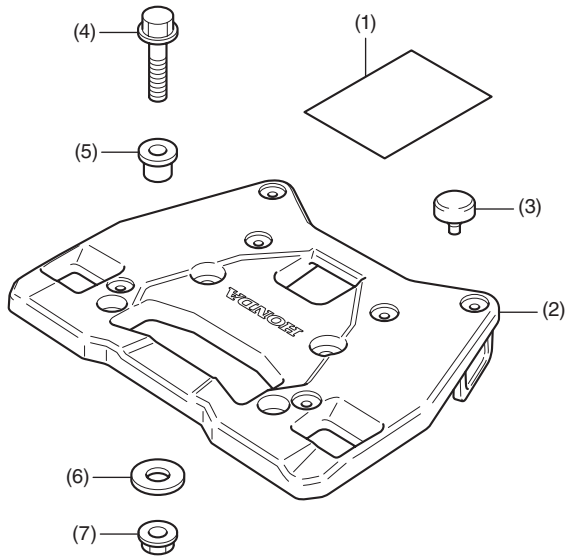
Accessory
CARRIER BRACKET
P/N 08L78-MKS-E00

Application
CRF1100A/A2/A4/D/D2/D4

Publication No.
M11
 Issue Date
May 2021

Honda Dealer: Please give a copy of these instructions to your customer.

PARTS LIST



No.	Description	Qty
(1)	URL paper	1
(2)	Carrier base	1
(3)	Rubber	6
(4)	8 mm flange bolt	4
(5)	Flange collar	4
(6)	Washer	4
(7)	8 mm flange nut	4

TOOLS REQUIRED

- Socket (12 mm)
- Ratchet
- Box-end wrench (12 mm)
- Torque wrench

TORQUE CHART

Tighten all screws, bolts, and nuts to their specified torque values. Refer to the Service Manual for the torque values of the removed parts.

Item	N·m	kgf·m	lbf·ft
8 mm flange nut	27	2.8	20

MAXIMUM LOADING CAPACITY

- The weight of the cargo must not exceed the following maximum loading capacity:

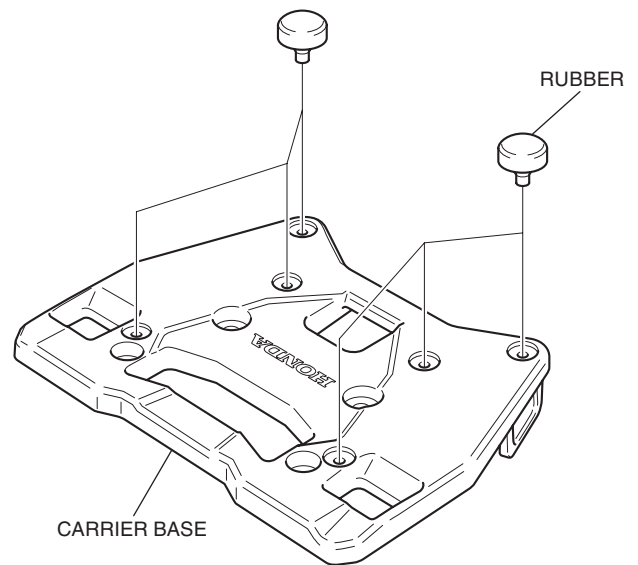
Maximum Loading Capacity	
Top box	6.0 kg (13.2 lb)

INSTALLATION

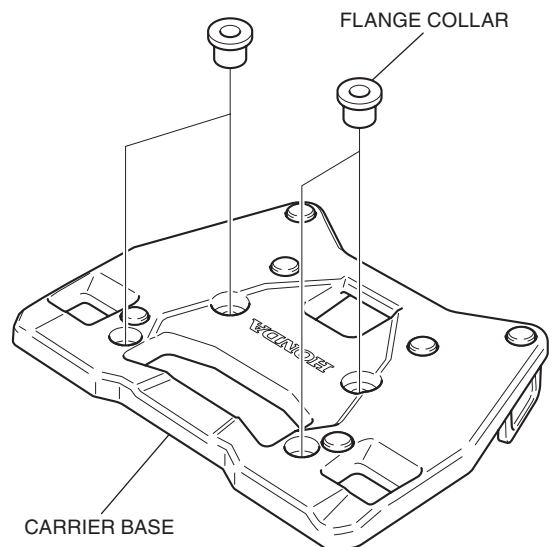
▲ CAUTION

- To prevent burns, allow the engine, exhaust system, radiator, etc., to cool before installing the accessory.

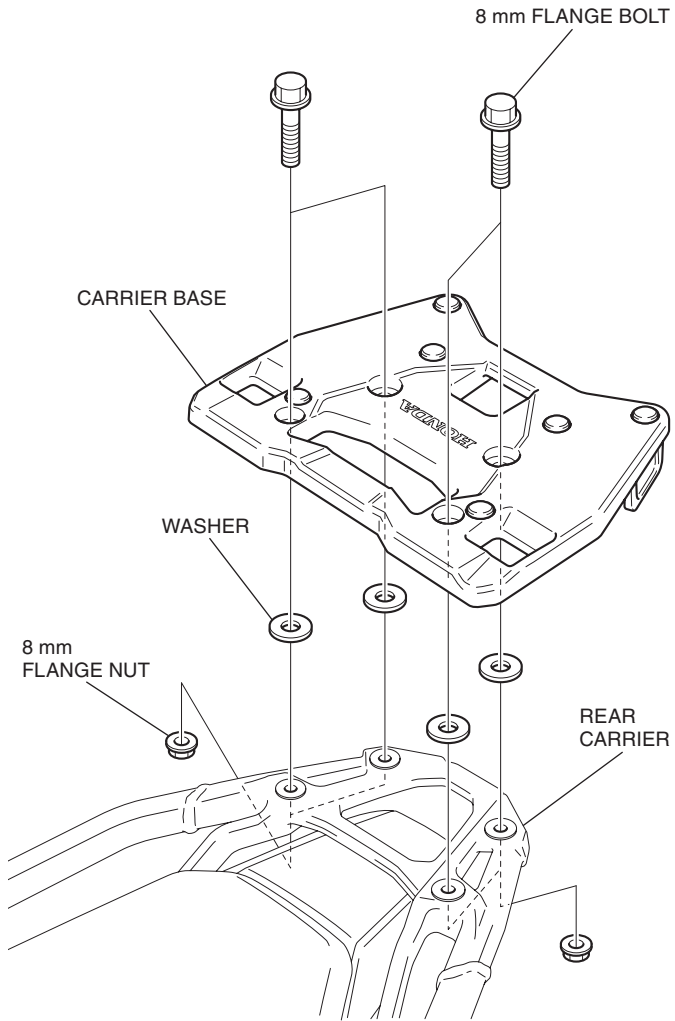
1. Install the rubbers as shown.



2. Install the flange collars as shown.



3. Install the carrier base as shown.



4. Refer to the Genuine Accessory User's Guide that comes together with the top box, and install the top box according to the instruction.