



# INSTALLATION INSTRUCTIONS

Accessory

TRUNK LID ORGANIZER  
P/N 08L78-MKC-A00

Application

GL1800/B/BD/D/DA

Publication No.

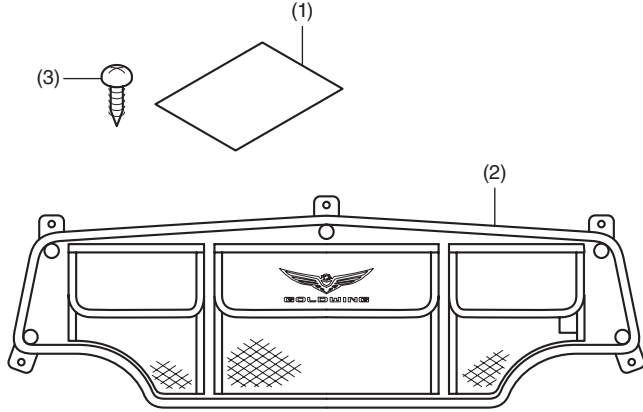
MII

Issue Date

January 2021

**Honda Dealer: Please give a copy of these instructions to your customer.**

## PARTS LIST



No.	Description	Qty
(1)	Installation Instructions URL	1
(2)	Trunk lid organizer	1
(3)	5 mm screw	7

## TOOLS REQUIRED

Phillips ® screwdriver  
Torque wrench

## TORQUE CHART

Tighten all screws, bolts, and nuts to their specified torque values. Refer to the Service Manual for the torque values of the removed parts.

Item	N·m	kgf·m	lbf·ft
5 mm screw	4.2	0.4	3.1

## MAXIMUM LOADING CAPACITY

- The weight of the cargo must not exceed the following maximum loading capacity:

Maximum Loading Capacity	
Trunk lid organizer	1.0 lb (0.45 kg)

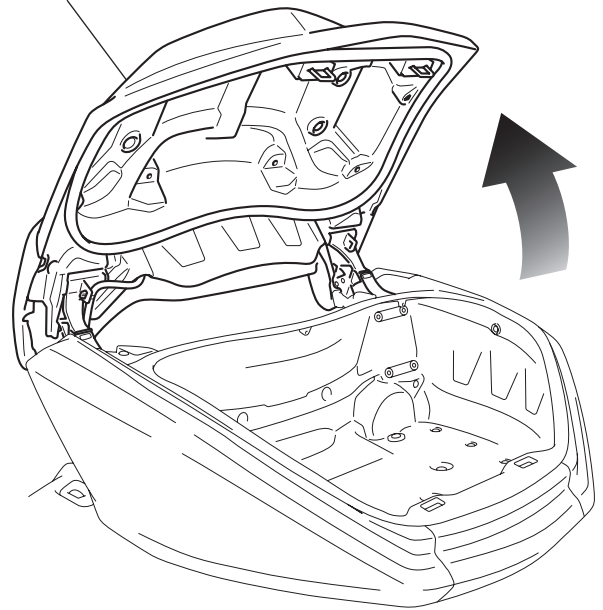
## INSTALLATION

### ▲ CAUTION

- To prevent burns, allow the engine, exhaust system, radiator, etc., to cool before installing the accessory.

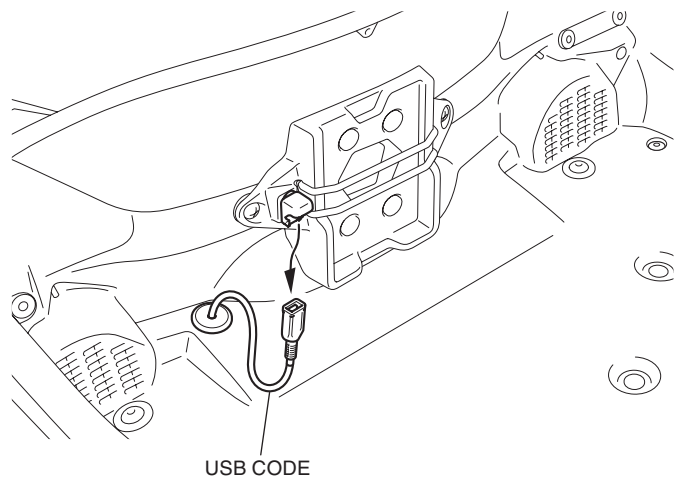
- Open the rear trunk lid as shown.

REAR TRUNK LID

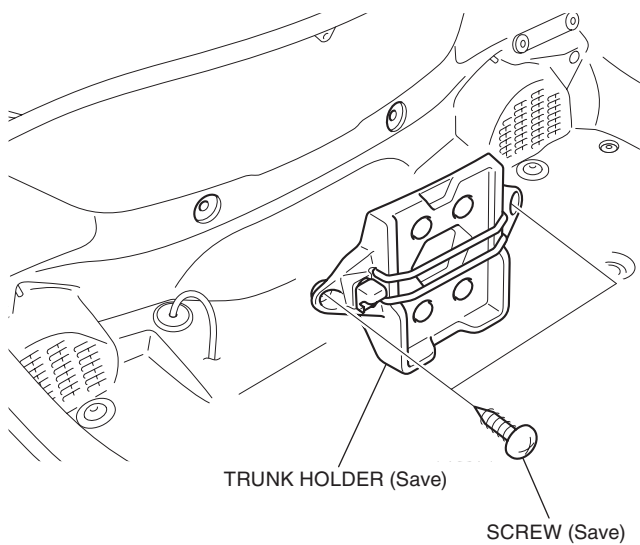


- Remove the USB code as shown.

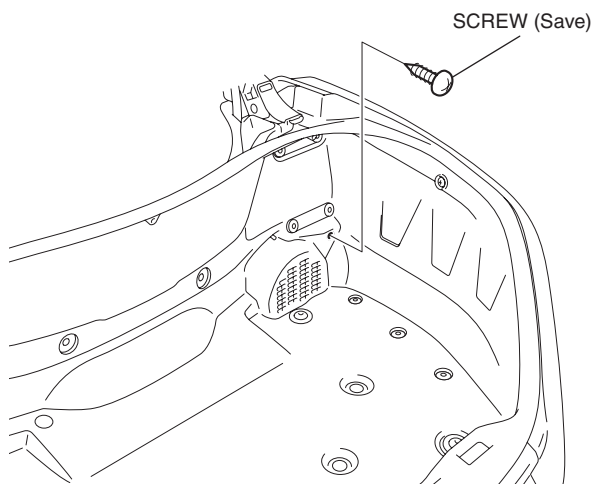
- Perform this step on GL1800DA only.



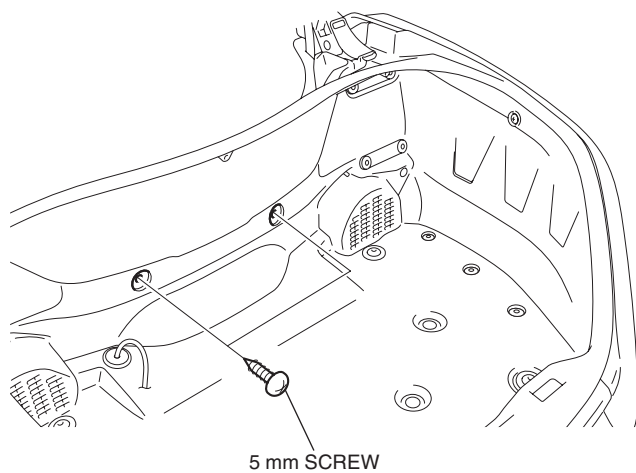
3. Remove the trunk holder as shown.  
• **Perform this step on GL1800DA only.**



4. Remove the screw as shown.  
• **Repeat on the left side.**



5. Install the 5 mm screws as shown.  
• **Perform this step on GL1800DA only.**



6. Install the trunk lid organizer as shown.

