



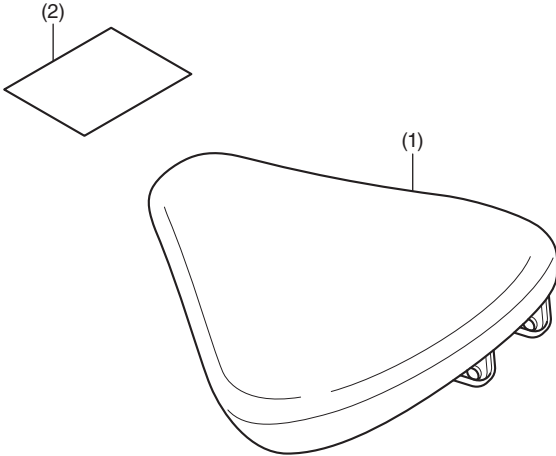
# INSTALLATION INSTRUCTIONS

Accessory	Application
<b>MAIN SEAT</b> P/N 08R76-K87-A30	<b>CMX300/A</b> <b>CMX500/A</b>

Publication No.
<b>M11</b>
Issue Date
<b>April 2020</b>

**Honda Dealer: Please give a copy of these instructions to your customer.**

## PARTS LIST



No.	Description	Qty
(1)	Main seat	1
(2)	URL paper	1

## TORQUE INFORMATION

Refer to the Service Manual for the torque values of the removed parts.

## INSTALLATION

### ⚠ CAUTION

- To prevent burns, allow the engine, exhaust system, radiator, etc. to cool before installing the accessory.

### NOTE:

- Take care not to damage the painted surfaces of the motorcycle.
- Save all removed parts unless otherwise indicated.

- Replace the existing main seat to accessory part as shown.

