

HONDA

INSTALLATION INSTRUCTIONS

Accessory

PASSENGER SEAT
P/N 08R75-K87-A30

Application

CMX500/A
CMX300/A

Publication No.

MII

Issue Date

April 2020

Honda Dealer: Please give a copy of these instructions to your customer.

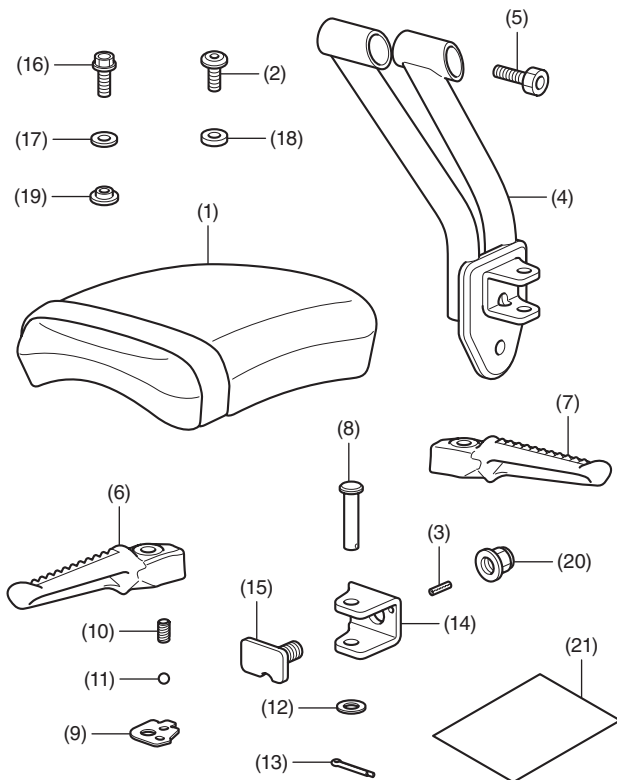
PARTS LIST

Do not carry a passenger unless a passenger seat with grab strap and foot pegs have been securely installed on your motorcycle.

▲ WARNING

Carrying a passenger without a properly designed and installed passenger seat and foot pegs can result in serious injury or death to you and/or the passenger.

Never carry a passenger without first installing a passenger seat (with grab strap) and foot pegs specifically designed for this motorcycle. Further, never carry more than one passenger.



No.	Description	Qty
(1)	Passenger seat	1
(2)	8 mm socket bolt (short) [8 x 18 mm]	1
(3)	Spring pin [3 x 8 mm]	1
(4)	Step holder	1
(5)	8 mm socket bolt (long) [8 x 32 mm]	2
(6)	Right foot peg	1
(7)	Left foot peg	1

No.	Description	Qty
(8)	Joint pin	2
(9)	Click plate	2
(10)	Spring	2
(11)	Steel ball [8.0 mm]	2
(12)	8 mm washer (thin)	2
(13)	Split pin [2.0 mm]	2
(14)	Step bracket	1
(15)	Step bracket bolt	1
(16)	8 mm flange bolt [8 x 18 mm]	1
(17)	8 mm washer (medium)	1
(18)	8 mm washer (thick)	1
(19)	Collar	1
(20)	10 mm self-lock nut	1
(21)	URL paper	1

TOOLS AND SUPPLY REQUIRED

Socket (12 mm)
Ratchet
Box-end wrench (17 mm)
Hex wrench (6 mm)
Long nose pliers
Plastic hammer
Grease
Torque wrench

TORQUE INFORMATION

Tighten all screws, bolts, and nuts to their specified torque values. Refer to the Service Manual for the torque values of the removed parts.

Item	N·m	kgf·m	lbf·ft
8 mm socket bolt (short)	22	2.2	16
8 mm socket bolt (long)	33	3.3	24
8 mm flange bolt	27	2.8	20
10 mm self-lock nut	39	4.0	29

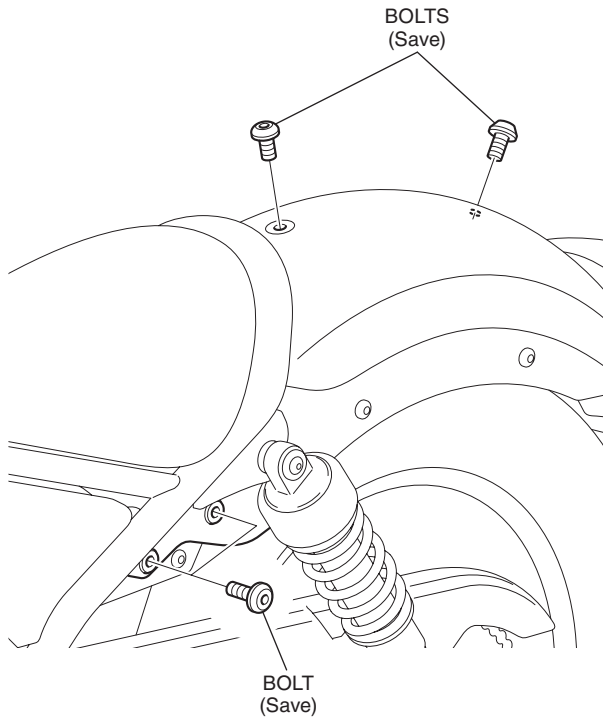
INSTALLATION

⚠ CAUTION

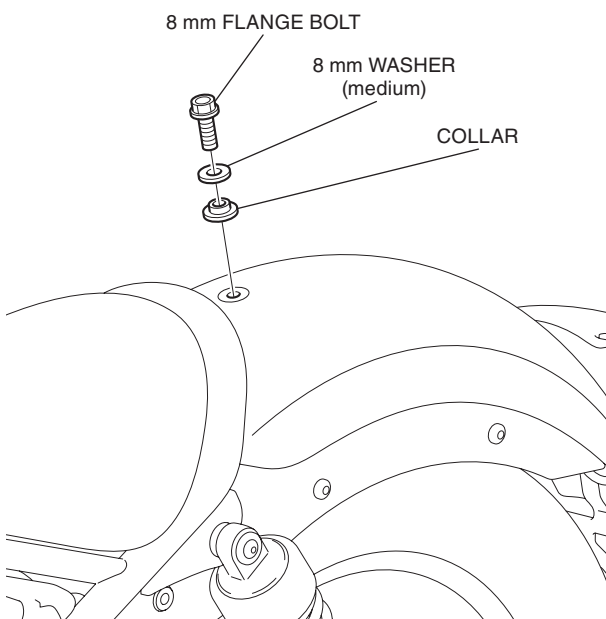
- To prevent burns, allow the engine, exhaust system, radiator, etc. to cool before installing the accessory.

NOTE:

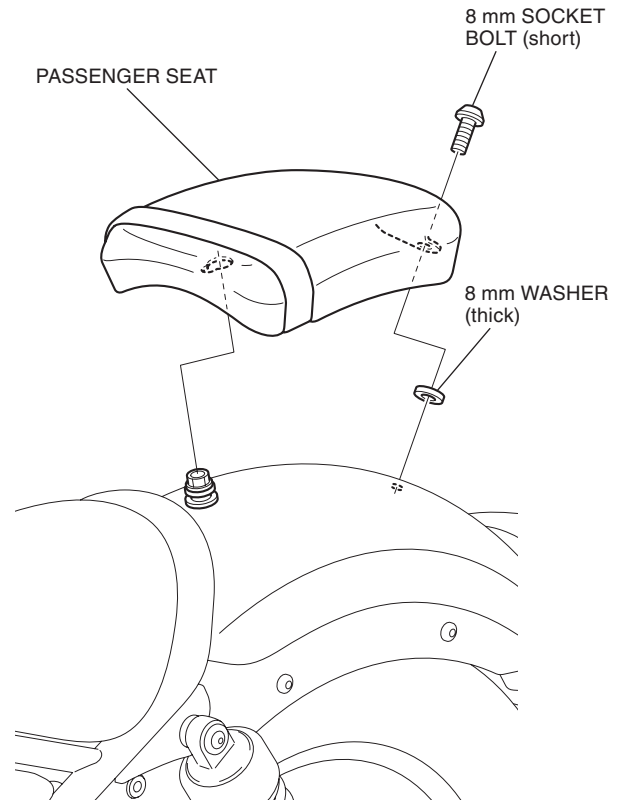
- Take care not to damage the painted surfaces of the motorcycle.
1. Refer to the Service Manual for the motorcycle, remove the motorcycle parts.



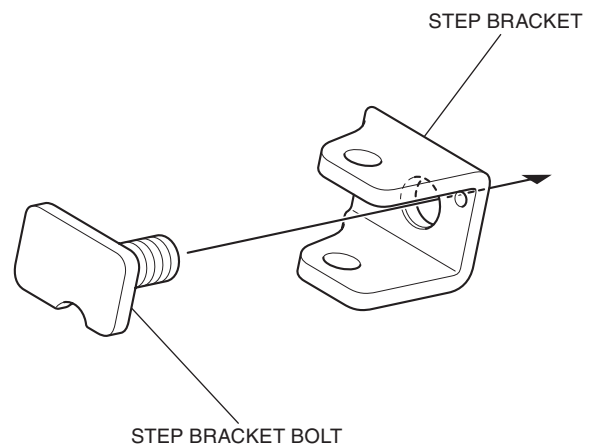
2. Install the bolt as shown.




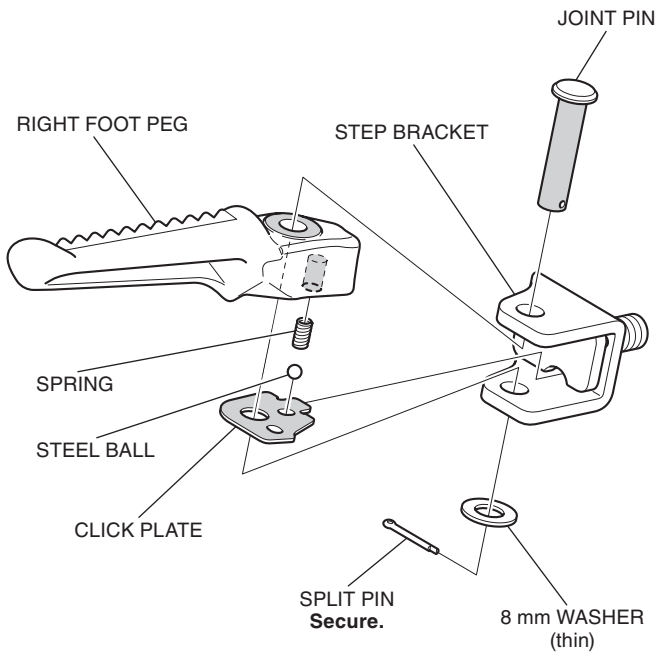
3. Install the passenger seat as shown.



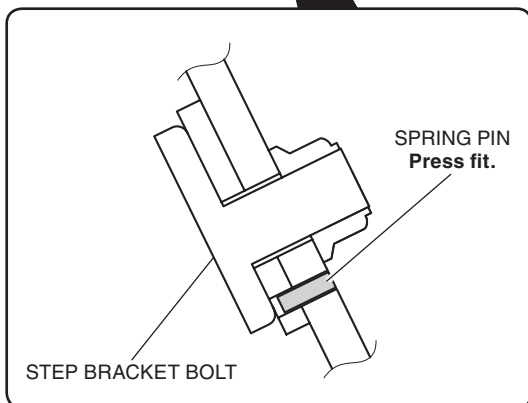
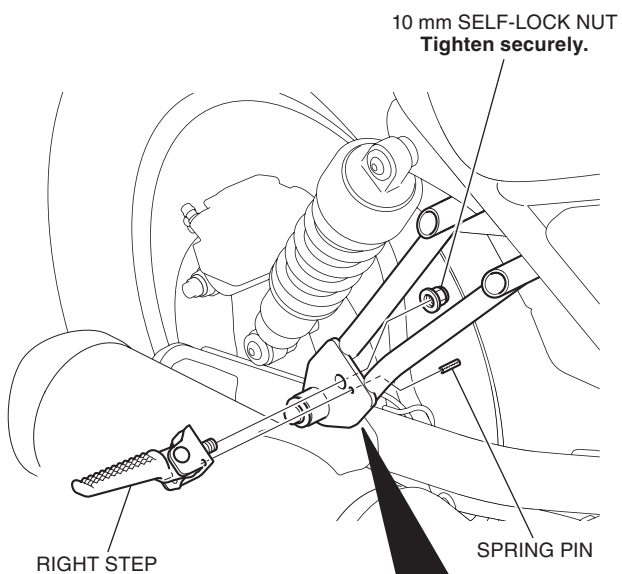
4. Install the step bracket bolt as shown.




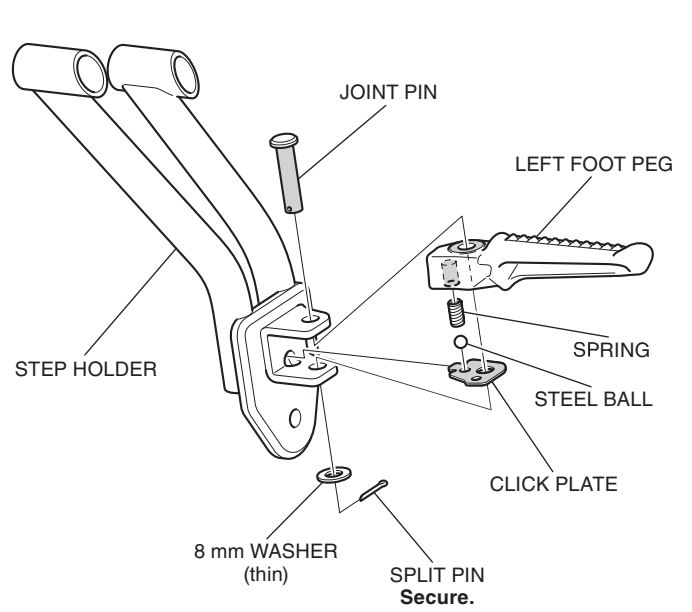
5. Install the right foot peg as shown.
- Apply grease to the  areas.



6. Install the right step as shown.



7. Install the left foot peg as shown.
- Apply grease to the  areas.



8. Install the left step as shown.

