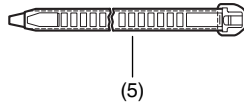
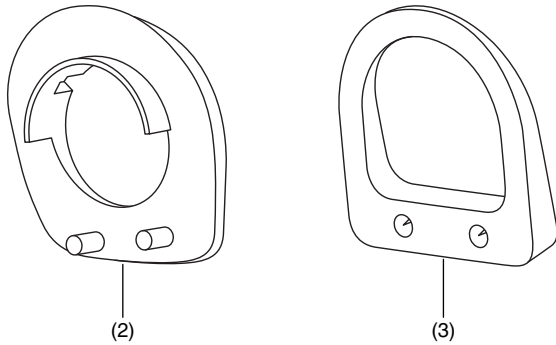
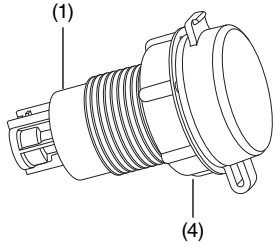




# HONDA

## INSTALLATION INSTRUCTIONS

Accessory	Application	Publication No.
ACCESSORY SOCKET P/N 08U70-HR3-A20	After '13 TRX420 (except FA/FPA)	MII 14766
		Issue Date December 2013

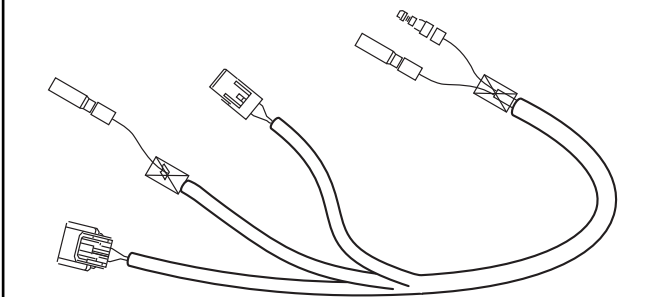


No.	Description	Qty
(1)	Accessory socket	1
(2)	Accessory socket trim (OUTER)	1
(3)	Accessory socket trim (INNER)	1
(4)	Accessory socket holding nut	1
(5)	Wire tie	1

### SUB HARNESS

Sold separately P/N 08Z01-HR3-A20

The Accessory Socket requires the use of the Accessory Sub Harness.



### TOOLS AND SUPPLIES REQUIRED

- Rotary tool w/carbide burr
- Power drill
- 25/64 inch (10 mm) drill bit
- 1-5/16 inch (33 mm) hole saw
- Tape

### TORQUE CHART

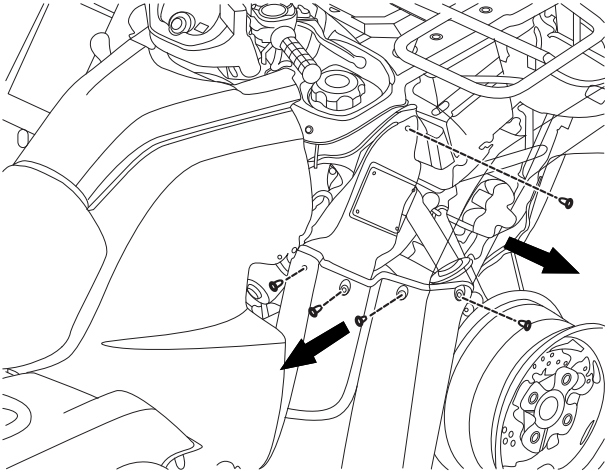
Refer to the Service Manual for the torque values of the removed parts.

The holding nut is to be hand tightened.

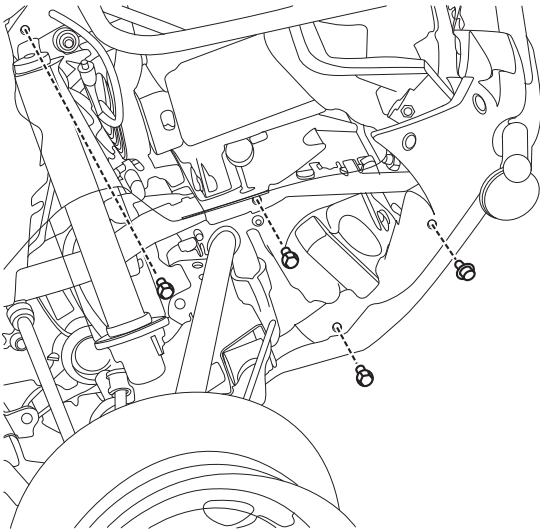
### USE AND CARE INFORMATION

- Read through instructions completely prior to installation of the accessory socket.
- Check the accessory mounts frequently and retighten if necessary.

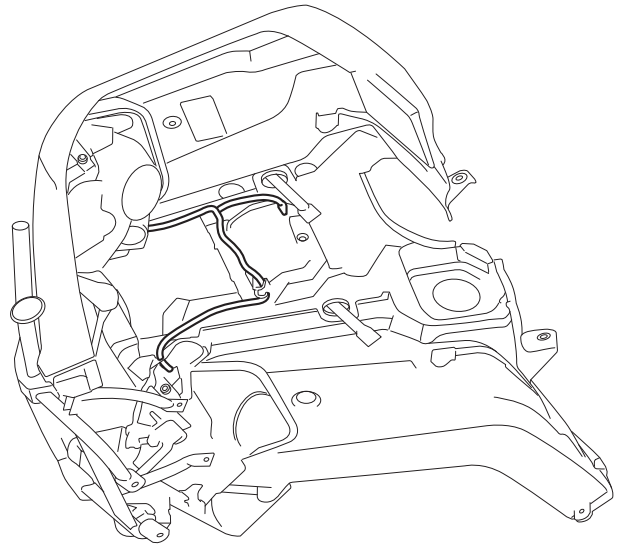
1. Using the procedures in the Service Manual, remove the right front assembly trim clips.
  - Repeat on the left side.



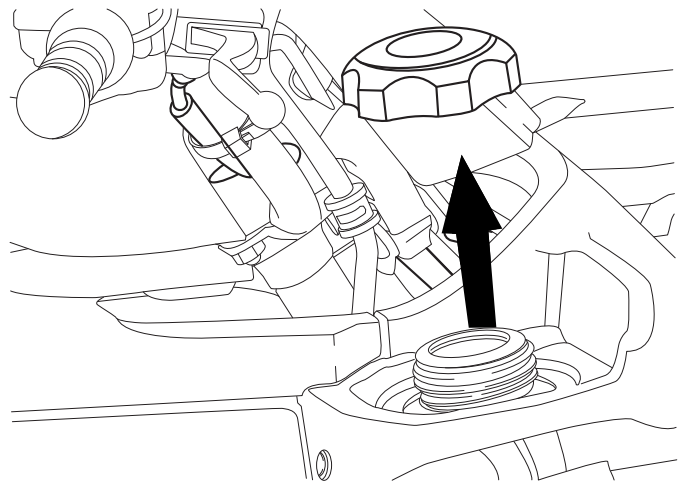
2. Using the procedures in the Service Manual, remove the right front assembly bolts.
  - Repeat on the left side.



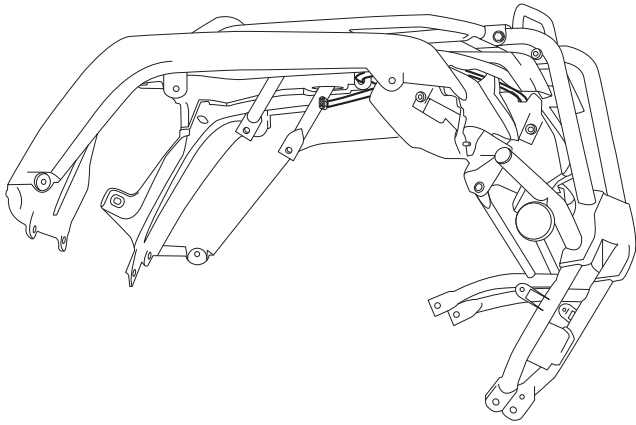
3. Disconnect the headlight wiring harness from the main wiring harness.



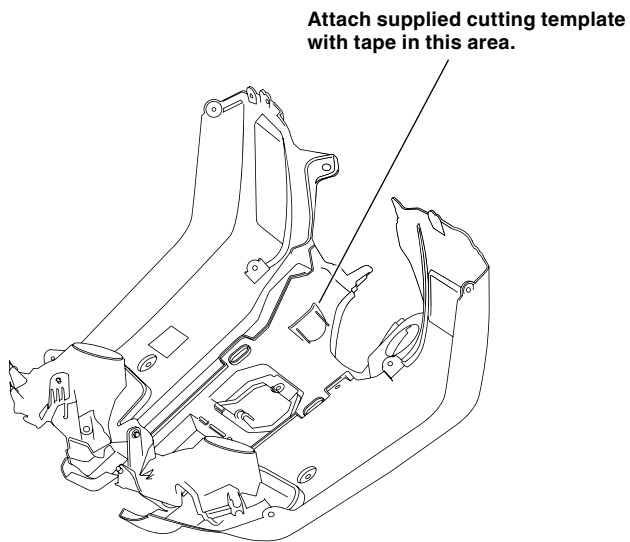
4. Remove the fuel cap.



5. Remove the front assembly.

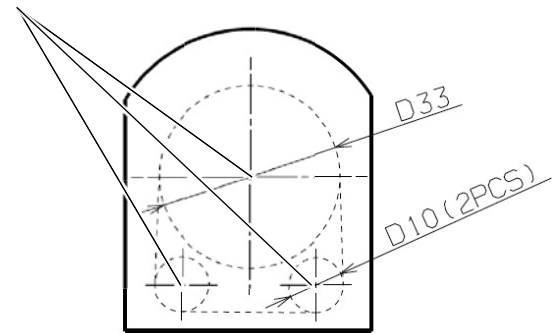


6. Cut out the cutting template from page 6.  
From the under-side of the front assembly attach the cutting template with tape.



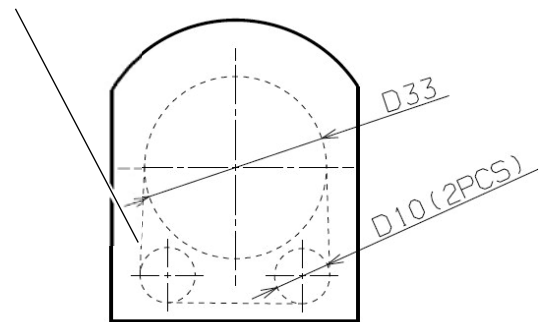
7. Drill the large hole with a 1-5/16 inch (33 mm) hole saw at the indicated mark.  
Drill two 25/64 inch (10 mm) holes at the indicated marks.

Drill holes at the indicated marks.



8. After drilling the holes, use a rotary tool and carbide burr to connect the circles by cutting along the dotted line, making a window.

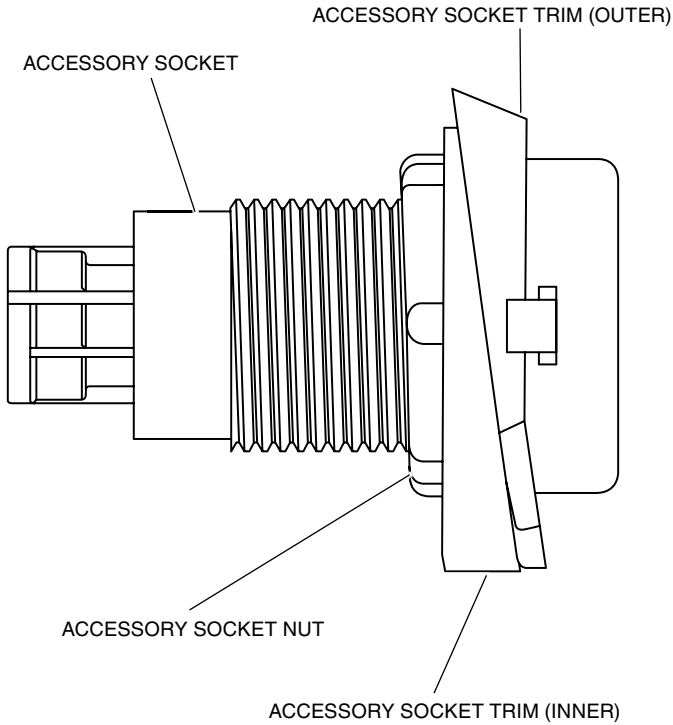
Connect the circles by cutting along the dotted line.



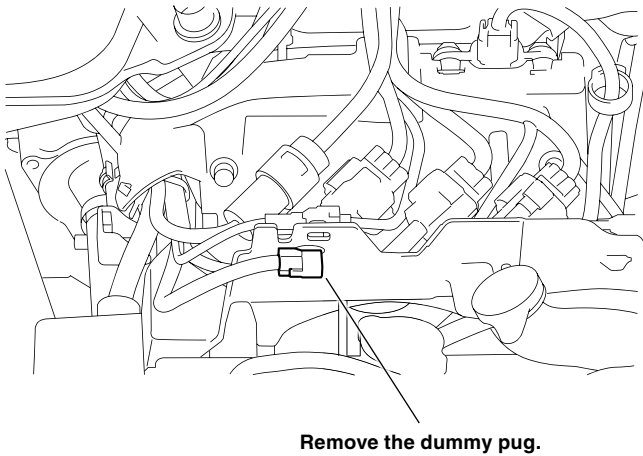
9. Install the accessory socket:

Place the inner socket trim on the inside of the fender. Place the outer socket trim on the outside of the fender.

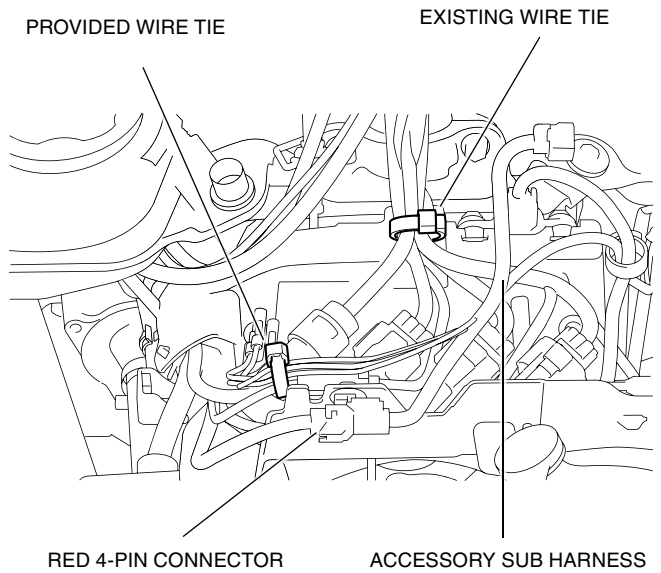
Insert the accessory socket through both trim pieces and secure it with the socket nut.



10. Remove the dummy plug from the Red 4-pin connector and disconnect it from its clip/holder.



10. Install the accessory sub harness to the Red 4-pin connector and secure it to the clip/holder. Secure the sub-harness with the provided wire tie as shown.



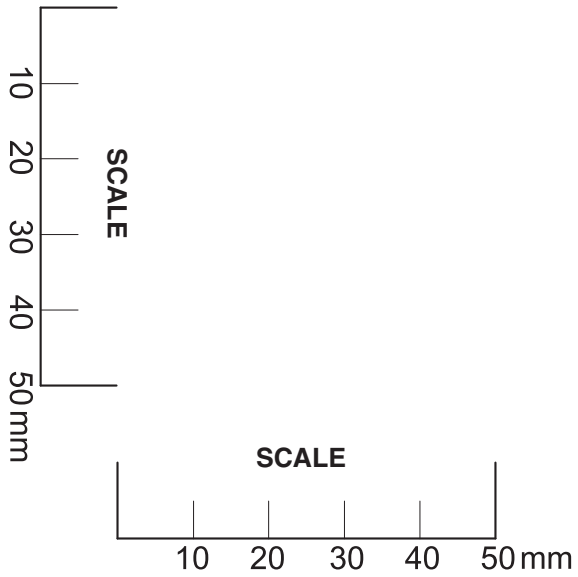
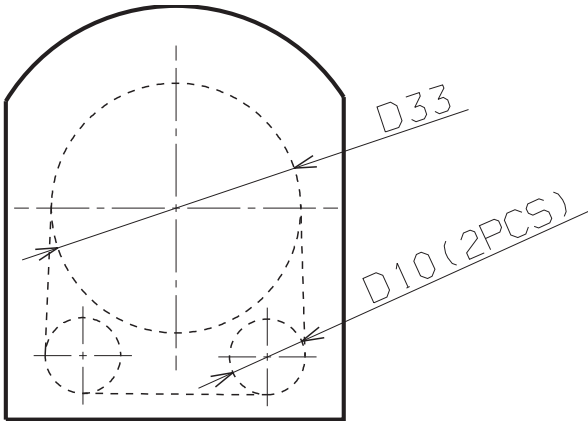
11. Temporarily reinstall the front fender assembly and connect the accessory socket to the accessory sub harness 2-pin connector. Test the accessory socket operation.

12. Reinstall the removed parts.

**THIS PAGE LEFT BLANK  
INTENTIONALLY**

< CUTTING TEMPLATE >

Cut out along the outer black line.



**NOTICE**

If you print this template from your local computer, make sure the printer settings do not “scale” or “shrink” the page.