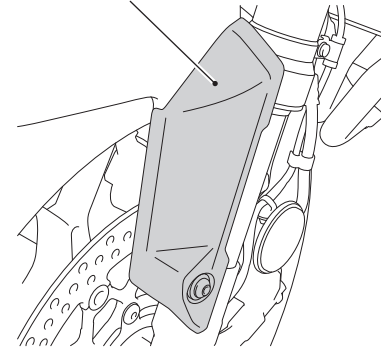


COMMON

- Added accessories can affect a motorcycle's stability, performance and safe riding speed.

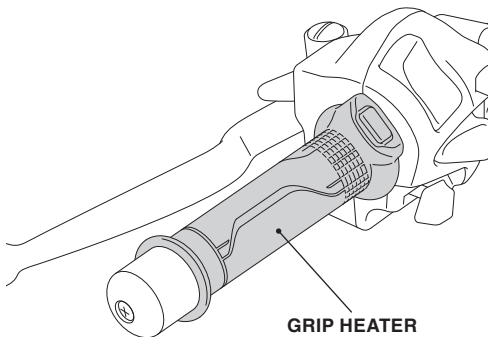
FRONT FENDER PANEL

FRONT FENDER PANEL



- Check the accessory mounts frequently and retighten if necessary.
- Clean this accessory with a soft cloth soaked with a solution of mild detergent and water. Then wipe with a clean cloth soaked with water to clean dirt and detergent. Finally wipe dry with a soft, clean cloth.

GRIP HEATER



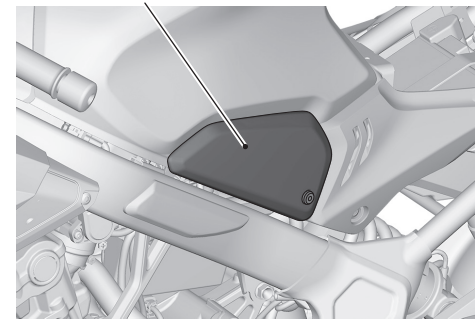
- This accessory is replaced with the grip heater combined with the throttle pipe. Therefore, the throttle operation has a different feeling after installation.
- Check the accessory mounts frequently.
- Clean this accessory with a soft cloth soaked with a solution of mild detergent and water. Then wipe with a clean cloth soaked with water to clean dirt and detergent. Finally wipe dry with a soft, clean cloth.

HOW TO USE THE GRIP HEATER

- For operating instruction, refer to the Owner's Manual of the grip heater kit.

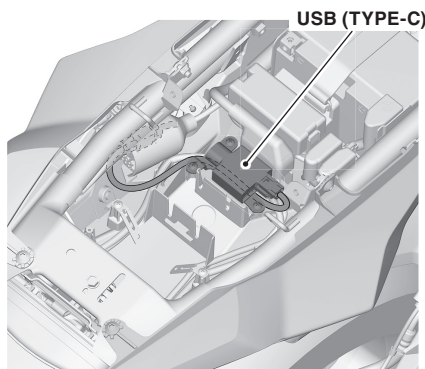
SIDE COVER PANEL

SIDE COVER PANEL



- Check the accessory mounts frequently and retighten if necessary.
- Clean this accessory with a soft cloth soaked with a solution of mild detergent and water. Then wipe with a clean cloth soaked with water to clean dirt and detergent. Finally wipe dry with a soft, clean cloth.

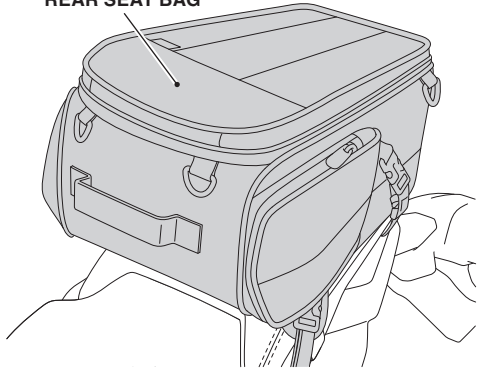
USB (TYPE-C) ATTACHMENT



- The maximum power rating of connected accessories is 5V 3A.
- Use accessories with the engine running to avoid discharging the battery.
- Carefully secure any connected devices, as vibrations may cause them to shift unexpectedly.
- Check the accessory mounts frequently and retighten if necessary.
- Clean this accessory with a soft cloth soaked with a solution of mild detergent and water. Then wipe with a clean cloth soaked with water to clean dirt and detergent. Finally wipe dry with a soft, clean cloth.

REAR SEAT BAG

REAR SEAT BAG

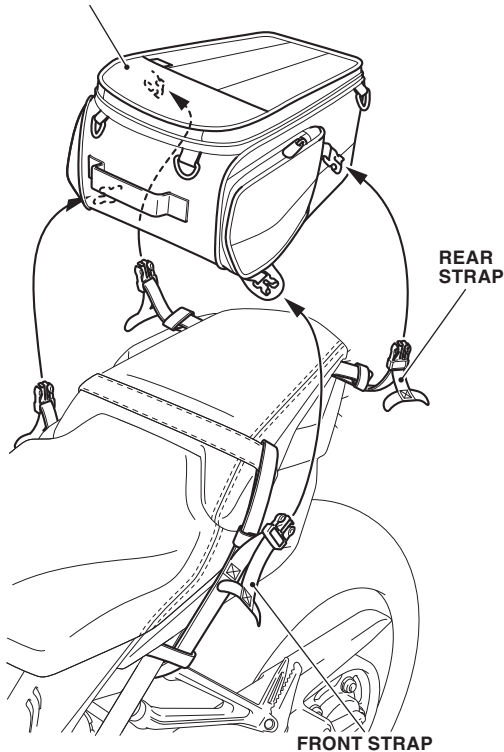


- The weight of the cargo must not exceed the following maximum weight capacity:
Rear seat bag 4.0 kg (8.8 lb)
- Check the accessory mounts frequently.
- Clean this accessory with a soft cloth soaked with a solution of mild detergent and water or a cleaner.
- Do not store valuables or easily breakable items in the seat bag.
- Be sure that the fastener is closed securely before riding.
- The rear seat bag is not perfectly watertight, and water may enter when washing the motorcycle, or when it rains.

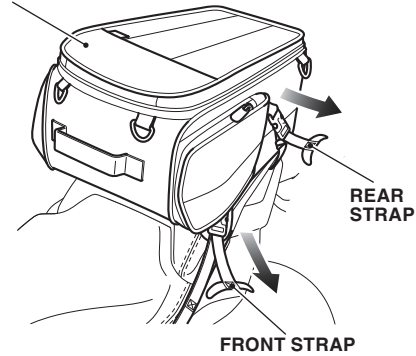
HOW TO INSTALL THE REAR SEAT BAG

REAR SEAT BAG

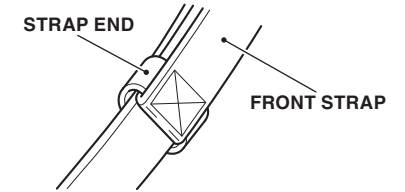
1. Install the rear seat bag as shown.



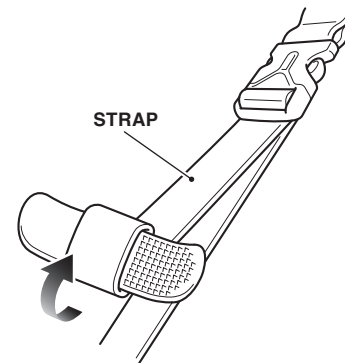
REAR SEAT BAG



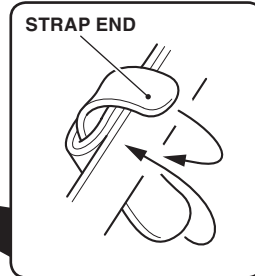
2. Tighten the straps while adjusting the balance between the right and left sides of the rear seat bag as shown.
 - Repeat on the right side.
 - Secure well by pulling the straps tight.
3. Secure the front straps end as shown.



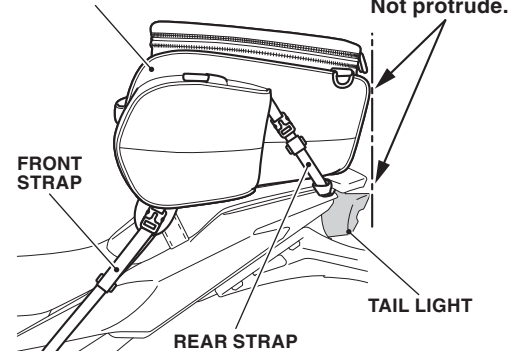
STRAP



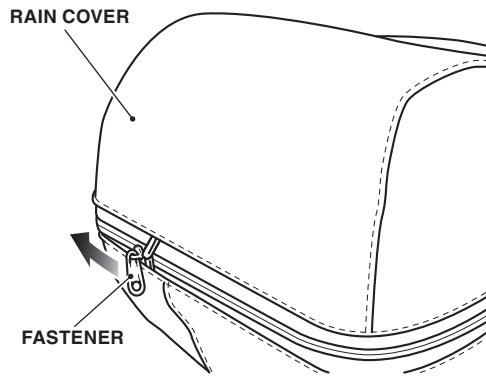
4. Wind the strap as shown.
5. Secure the strap end as shown.



REAR SEAT BAG

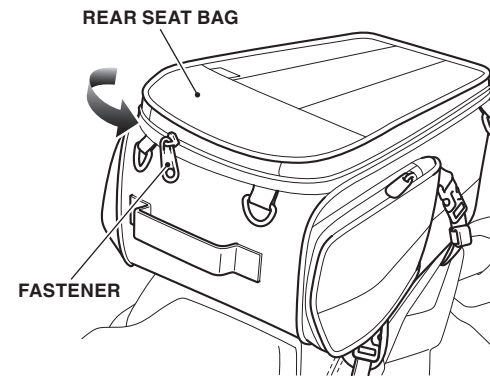


6. Secure the other straps in the same manner.
7. Make sure that the rear seat bag does not protrude to the rear of the tail light as shown.
 - If the rear seat bag protrudes, adjust the tensions of front strap and rear strap.



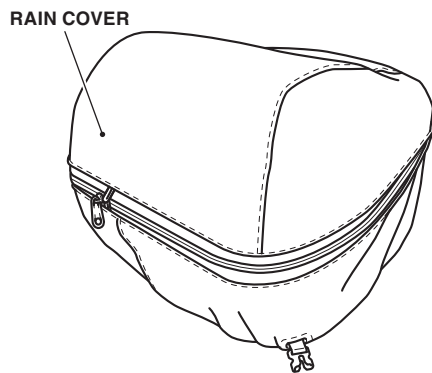
HOW TO USE THE RAIN COVER

1. Open the fastener as shown.
 - Perform this step on extended the rear seat bag.

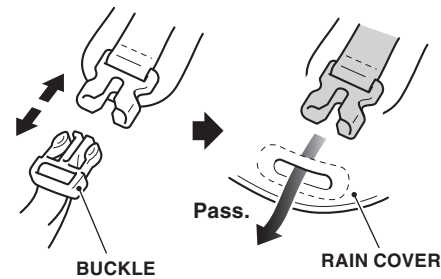


HOW TO USE THE EXTENDED REAR SEAT BAG

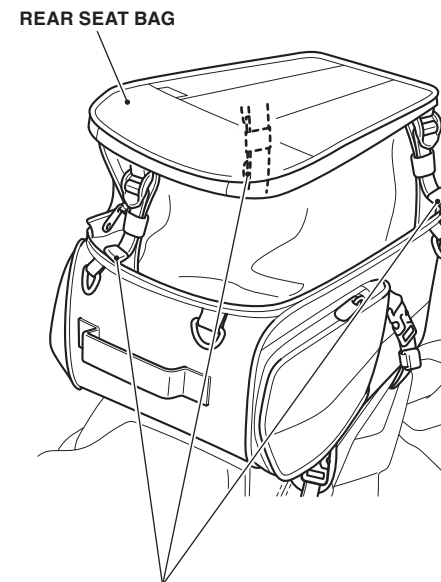
1. Open the fastener as shown.



2. Temporarily release the buckles and pass them through the rain cover holes as shown.



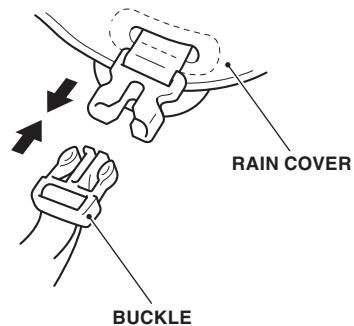
3. Cover the rain cover as shown.



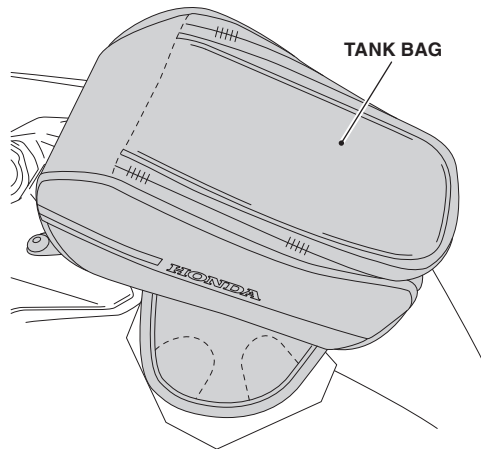
2. Pull up the rear seat bag as shown.

Firmly pull to secure the belts.

4. Lock the buckles as shown.

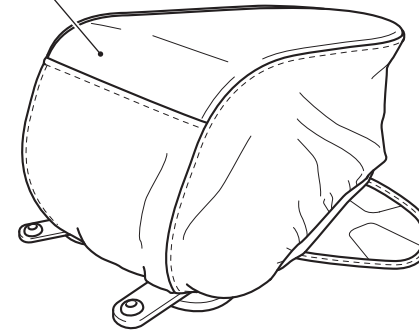


TANK BAG



- The weight of the cargo must not exceed the following maximum weight capacity:
Tank bag 1.0 kg (2.2 lb)
- Check the accessory mounts frequently and retighten if necessary.
- Before riding, close the tank bag.
- Clean this accessory with a soft cloth soaked with a solution of mild detergent and water or a cleaner.
- Do not store valuables or easily breakable items in the seat bag.
- Be sure that the fastener is closed securely before riding.
- The rear seat bag is not perfectly watertight, and water may enter when washing the motorcycle, or when it rains.

RAIN COVER

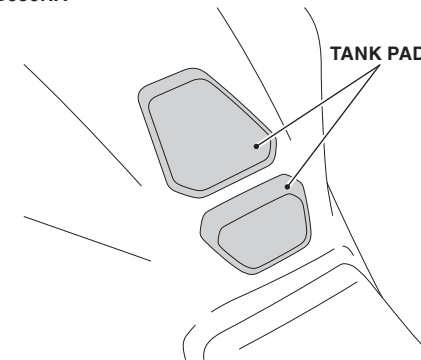


HOW TO USE THE RAIN COVER

1. Put the rain cover on the tank bag as shown.

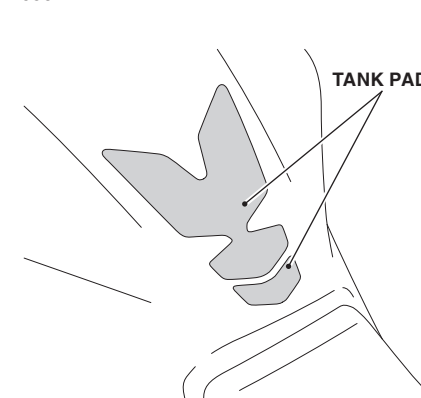
TANK PAD

<CB650RA>



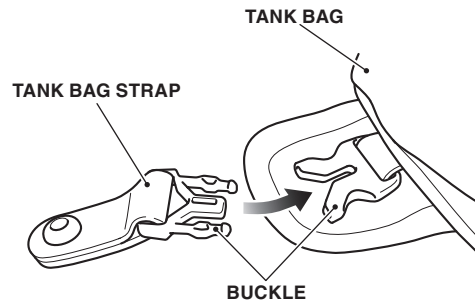
- Check the accessory mounts.
- Clean this accessory with a soft cloth soaked with a solution of mild detergent and water. Then wipe with a clean cloth soaked with water to clean dirt and detergent. Finally wipe dry with a soft, clean cloth.

<CBR650RA>

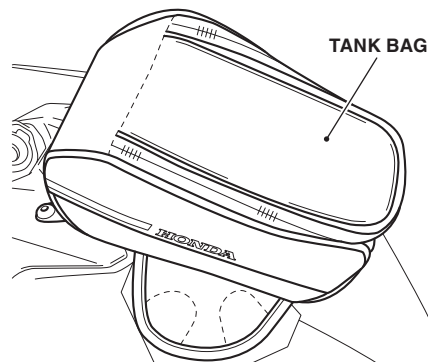


HOW TO INSTALL THE TANK BAG

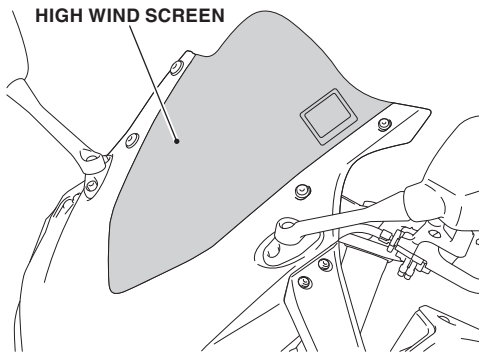
1. Lock the buckle as shown.
 - Repeat on the right side.



2. Install the tank bag as shown.

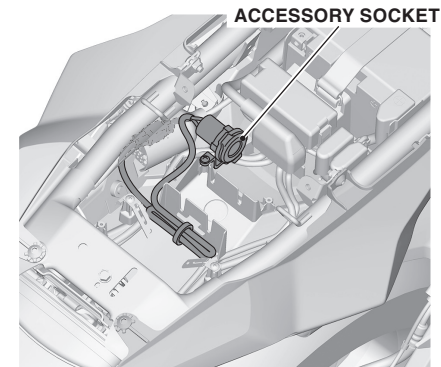


HIGH WIND SCREEN



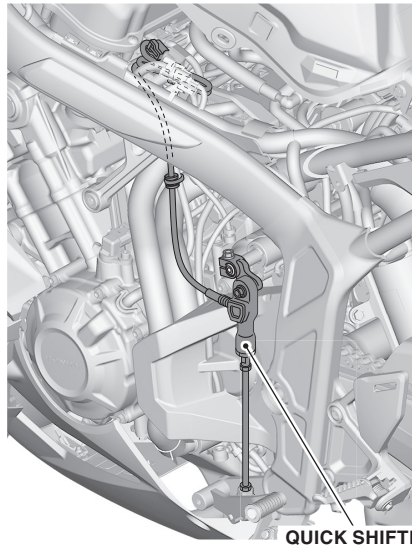
- Handle this accessory with care. It can be damaged when it is bent excessively or is subject to strong shock or impact.
- Park the motorcycle in the shade when it is to be left unattended in the summer for an extended period of time with a body cover placed over it.
- Failure to observe this precaution can cause this accessory to be deformed due to heat built up under the body cover.
- Select a firm, level surface when you park the motorcycle. Also bear in mind that strong wind can cause the motorcycle to topple to the ground.
- Check the accessory mounts frequently and retighten if necessary.
- When this accessory becomes dirty, rinse it thoroughly with cool water to remove loose dirt, then wipe with a clean cloth or sponge. Do not use a brush to clean this accessory as it may scratch the surface.
- Never use petroleum solvents such as gasoline, thinner or benzine to clean this accessory. Also do not use acid or alkaline cleaners.
- Wipe up spilled brake fluid at once as it may damage the plastic surface.

ACCESSORY SOCKET



- The maximum power rating of connected accessories is 24W (12V, 2A).
- Use accessories with engine running to avoid discharging the battery.
- Do not use a cigarette lighter, as this can cause a malfunction.
- Cover the socket with the cap when the accessory socket is not used to prevent entry of foreign objects.
- Carefully secure any connected devices, as vibrations may cause them to shift unexpectedly.
- Do not use the accessory socket when the motorcycle is being washed.
- Check the accessory mounts frequently and retighten if necessary.
- Clean this accessory with a soft cloth soaked with a solution of mild detergent and water. Then wipe with a clean cloth soaked with water to clean dirt and detergent. Finally wipe dry with a soft, clean cloth.

QUICK SHIFTER



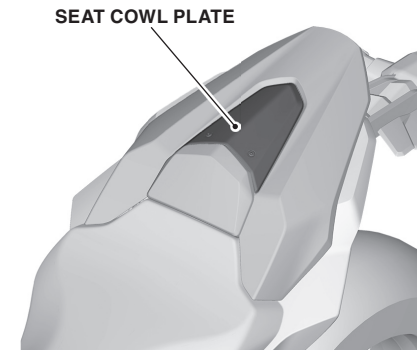
QUICK SHIFTER

- Check the accessory mounts frequently and retighten if necessary.
- Clean this accessory with a soft cloth soaked with a solution of mild detergent and water. Then wipe with a clean cloth soaked with water to clean dirt and detergent. Finally wipe dry with a soft, clean cloth.

HOW TO USE THE QUICK SHIFTER

- This accessory enable the shift change without clutch operation when shifting up during acceleration. (Engine speed is more than 1,500 rpm on upshifting).

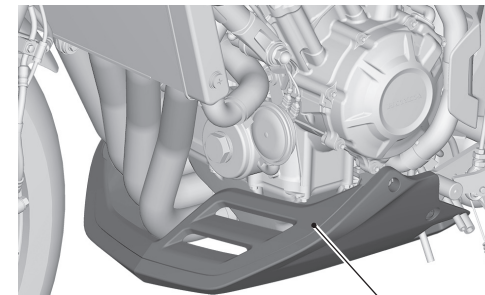
SEAT COWL PLATE



SEAT COWL PLATE

- Check the accessory mounts frequently and retighten if necessary.
- Clean this accessory with a soft cloth soaked with a solution of mild detergent and water. Then wipe with a clean cloth soaked with water to clean dirt and detergent. Finally wipe dry with a soft, clean cloth.

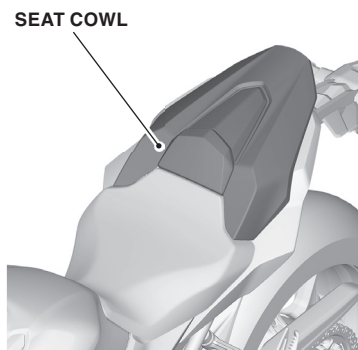
UNDER COWL



UNDER COWL

- Check the accessory mounts frequently and retighten if necessary.
- Clean this accessory with a soft cloth soaked with a solution of mild detergent and water. Then wipe with a clean cloth soaked with water to clean dirt and detergent. Finally wipe dry with a soft, clean cloth.

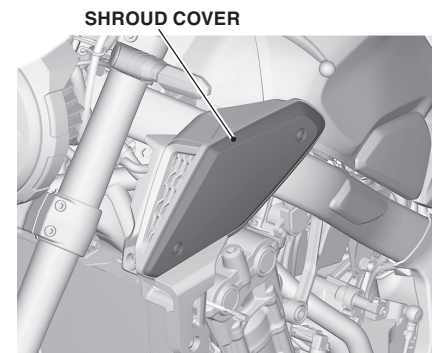
SEAT COWL



SEAT COWL

- Do not let anyone ride on the seat cowl and do not place luggage onto it.
- Check the accessory mounts frequently.
- Clean this accessory with a soft cloth soaked with a solution of mild detergent and water. Then wipe with a clean cloth soaked with water to clean dirt and detergent. Finally wipe dry with a soft, clean cloth.

SHROUD COVER

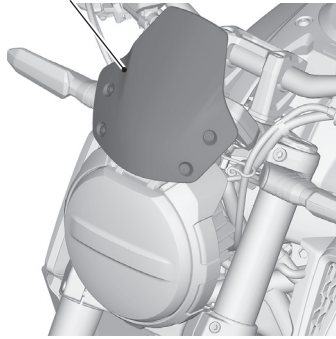


SHROUD COVER

- Check the accessory mounts frequently and retighten if necessary.
- Clean this accessory with a soft cloth soaked with a solution of mild detergent and water. Then wipe with a clean cloth soaked with water to clean dirt and detergent. Finally wipe dry with a soft, clean cloth.

FRONT VISOR

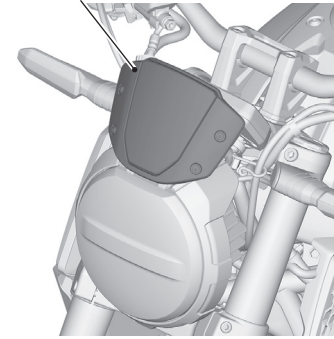
FRONT VISOR



- Handle this accessory with care. It can be damaged when it is bent excessively or is subject to strong shock or impact.
- Park the motorcycle in the shade when it is to be left unattended in the summer for an extended period of time with a body cover placed over it.
- Failure to observe this precaution can cause this accessory to be deformed due to heat built up under the body cover.
- Select a firm, level surface when you park the motorcycle. Also bear in mind that strong wind can cause the motorcycle to topple to the ground.
- Check the accessory mounts frequently and retighten if necessary.
- When this accessory becomes dirty, rinse it thoroughly with cool water to remove loose dirt, then wipe with a clean cloth or sponge. Do not use a brush to clean this accessory as it may scratch the surface.
- Never use organic solvents such as gasoline, thinner or benzene to clean this accessory. Also do not use acid or alkaline cleaners.
- Wipe up spilled brake fluid at once as it may damage the plastic surface.

METER VISOR

METER VISOR



- Handle this accessory with care. It can be damaged when it is bent excessively or is subject to strong shock or impact.
- Park the motorcycle in the shade when it is to be left unattended in the summer for an extended period of time with a body cover placed over it.
- Failure to observe this precaution can cause this accessory to be deformed due to heat built up under the body cover.
- Select a firm, level surface when you park the motorcycle. Also bear in mind that strong wind can cause the motorcycle to topple to the ground.
- Check the accessory mounts frequently and retighten if necessary.
- When this accessory becomes dirty, rinse it thoroughly with cool water to remove loose dirt, then wipe with a clean cloth or sponge. Do not use a brush to clean this accessory as it may scratch the surface.
- Never use organic solvents such as gasoline, thinner or benzene to clean this accessory. Also do not use acid or alkaline cleaners.
- Wipe up spilled brake fluid at once as it may damage the plastic surface.

SAFETY INFORMATION

The following sentences show the label meaning.
Some labels warn you of potential hazards that could cause serious injury.
Others provide important safety information.
Read this information carefully and don't remove the label.

If a label comes off or becomes hard to read, contact your Honda dealer for a replacement.

There is a specific symbol on each label. The meanings of each symbol and label are as follows.



Read the use and care information in installation instructions or genuine accessory user's guide carefully.
Read the **LOAD LIMITS AND GUIDELINES**, and **TYRES** sections in owner's manual.



DANGER (with RED background)

You **WILL** be **KILLED** or **SERIOUSLY HURT** if you don't follow instructions.

WARNING (with ORANGE background)

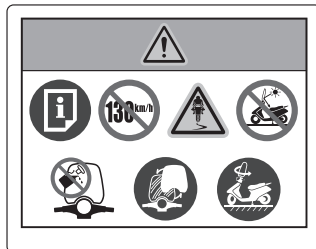
You **CAN** be **KILLED** or **SERIOUSLY HURT** if you don't follow instructions.

CAUTION (with YELLOW background)

You **CAN** be **HURT** if you don't follow instructions.

Refer to this information for the meanings of the symbols shown on the accessory.

SCREEN WARNING LABEL



Never ride a motorcycle equipped with accessories and a cargo at speeds above 130 km/h (80 mph).



Added accessories and cargo can reduce a motorcycle's stability, performance and safe riding speed. A motorcycle's stability is influenced by an improper loading, worn or under-inflated tyres, the overall motorcycle condition and environmental conditions.



Do not park the motorcycle with the sun shining on the backside of the unit; the reflection may damage the motorcycle parts.



Never use organic solvents such as gasoline, thinner and benzene to clean this accessory. Also do not use acid or alkaline cleaners to clean.



Replace the windshield if clear vision is obstructed.



Select a firm, level surface when you park the motorcycle.
Also bear in mind that strong wind can cause the motorcycle to fall to the ground.