



INSTALLATION INSTRUCTIONS

Accessory

REAR CARRIER
P/N 08L70-K87-J80

Application

CMX300/A
CMX500/A

Publication No.

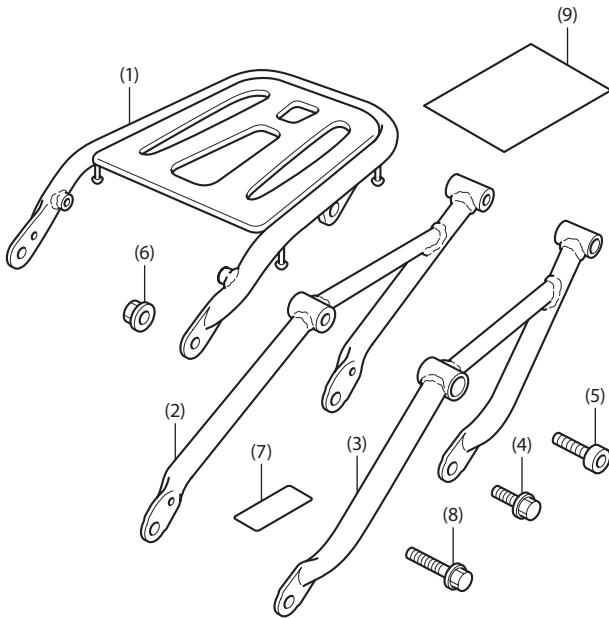
MII

Issue Date

December 2019

Honda Dealer: Please give a copy of these instructions to your customer.

PARTS LIST



No.	Description	Qty
(1)	Rear carrier	1
(2)	Right carrier	1
(3)	Left carrier	1
(4)	8 mm flange bolt (8 x 22 mm) (short)	4
(5)	8 mm socket bolt (8 x 32 mm)	4
(6)	8 mm flange nut	2
(7)	Caution label	1
(8)	8 mm flange bolt (8 x 50 mm) (long)	4
(9)	URL paper	1

TOOLS AND SUPPLIES REQUIRED

- Socket (12 mm)
- Ratchet
- Hex wrench (8 mm)
- Isopropyl alcohol
- Shop towel
- Torque wrench

TORQUE INFORMATION

Tighten all screws, bolts, and nuts to their specified torque values. Refer to the Service Manual for the torque values of the removed parts.

Item	N·m	kgf·m	lbf·ft
8 mm socket bolt	22	2.2	16
8 mm flange bolt and nut	27	2.8	20

MAXIMUM LOADING CAPACITY

- The weight of the cargo must not exceed the following maximum loading capacity:

Maximum Loading Capacity	
Rear carrier	3.0 kg (6.6 lb)

INSTALLATION

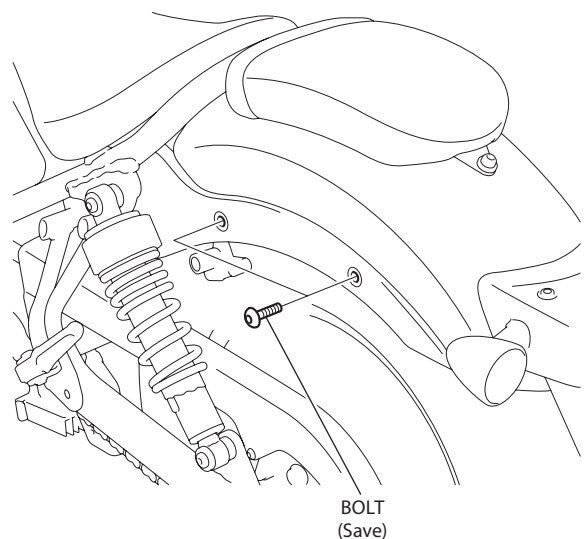
▲ CAUTION

- To prevent burns, allow the engine, exhaust system, radiator, etc., to cool before installing the accessory.

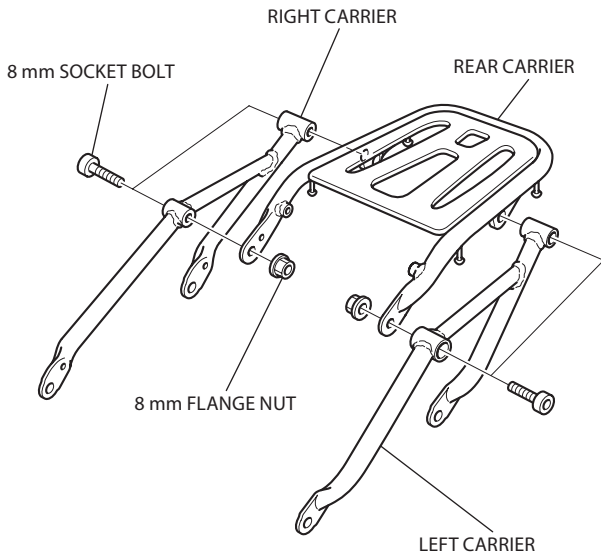
NOTE:

- Heat the bonding surfaces with a hair dryer if the ambient air temperature is below 21°C (70°F).
- The adhesive reaches full strength in 72 hours. Wait at least 24 hours before riding your motorcycle.
- Take care not to damage the painted surfaces of the motorcycle.
- Save all removed parts unless otherwise indicated.

- Refer to the Service Manual for the motorcycle, remove the motorcycle parts.
 - Repeat on the right side.

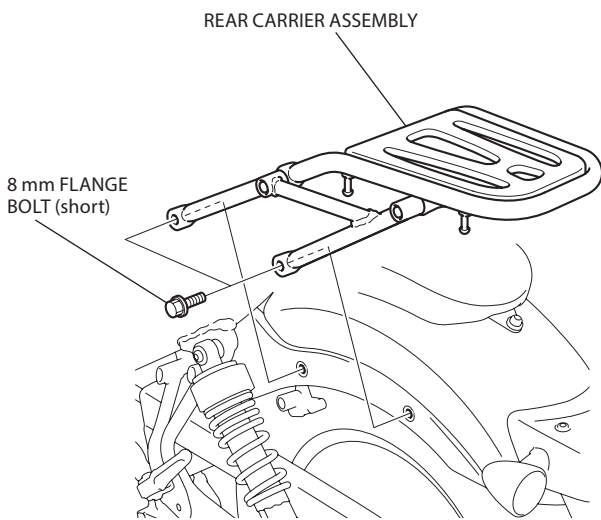


2. Loosely install the rear carrier as shown.



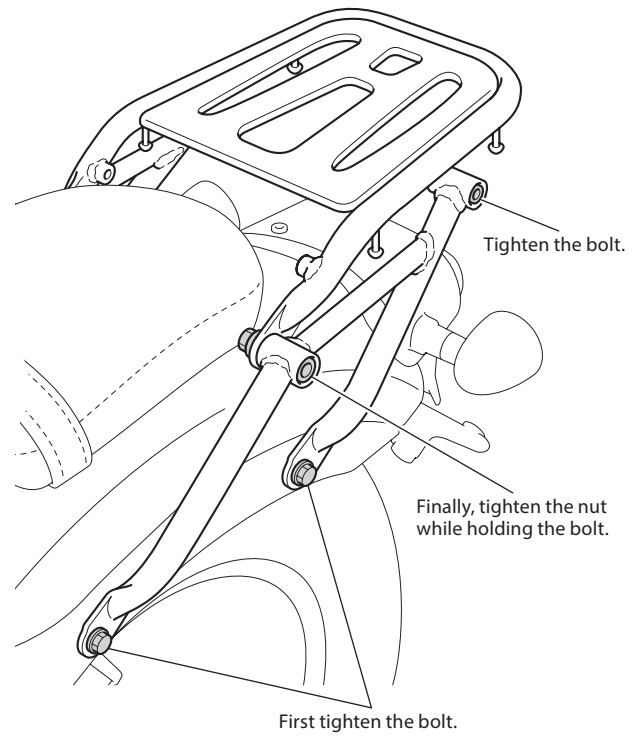
3. Loosely install the rear carrier assembly as shown.

- Repeat on the right side.

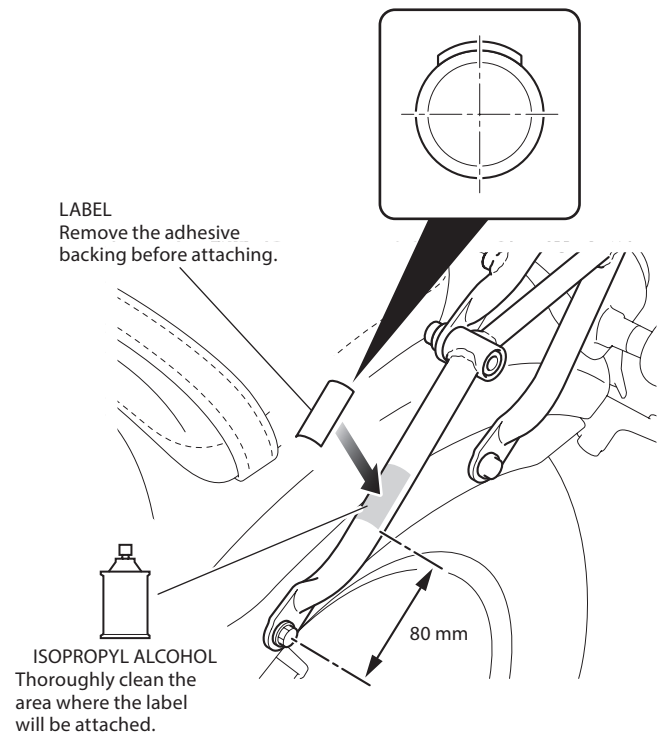


4. Tighten the loosely installed hardware as shown.

- Repeat on the right side.



5. Attach the label in the position shown.



Motorcycle with the saddlebag support and this accessory.

