



INSTALLATION INSTRUCTIONS

Accessory

HOMELINK & ATTACHMENT
P/N 08U77-MKC-A00

Application

GL1800/B/BD/D/DA

Publication No.

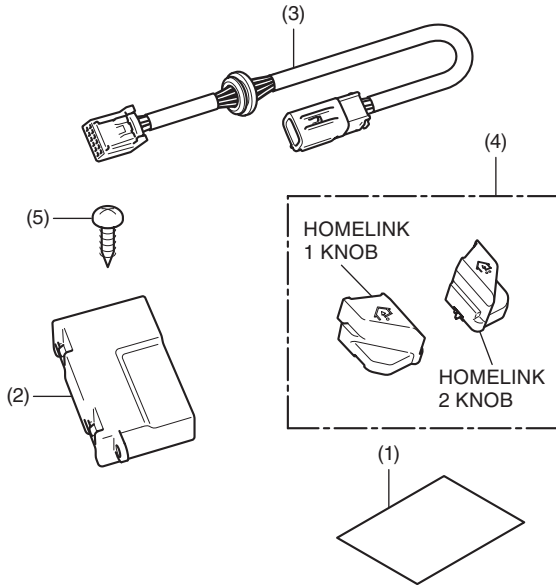
MII

Issue Date

January 2021

Honda Dealer: Please give a copy of these instructions to your customer.

PARTS LIST



No.	Description	Qty
(1)	Installation instructions URL	1
(2)	Homelink unit	1
(3)	Sub harness	1
(4)	Homelink knob set	1
(5)	4 mm screw	2

TOOLS AND SUPPLIES REQUIRED

Phillips ® screwdriver

Masking tape

Synthetic detergent solution

(Water : Synthetic detergent / 100 : 1)

Shop towel

Torque wrench

TORQUE CHART

Tighten all screws, bolts, and nuts to their specified torque values. Refer to the Service Manual for the torque values of the removed parts.

Item	N·m	kgf·m	lbf·ft
4 mm screw	1	0.1	0.7

INSTALLATION

▲ CAUTION

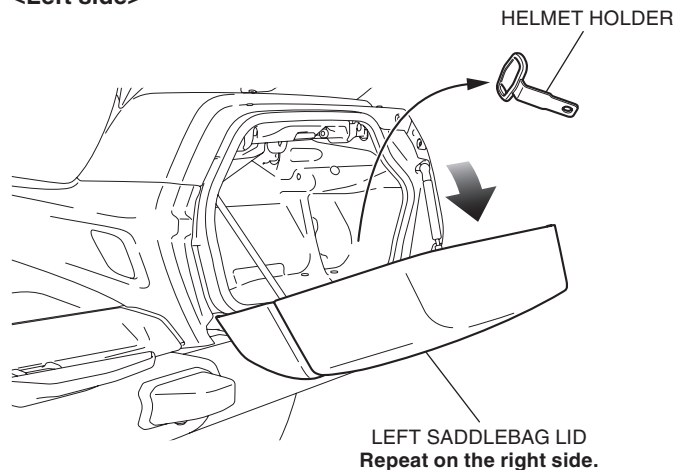
- To prevent burns, allow the engine, exhaust system, radiator, etc., to cool before installing the accessory.

NOTE:

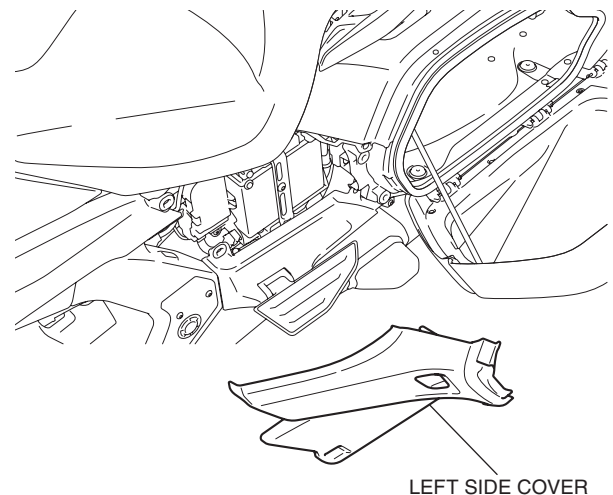
- Disconnect the negative (-) cable from the battery before installing this accessory.
- The memories of the clock will be erased when you disconnect the battery. Reset the memories after reconnecting the battery.
- Reinstall the removed parts on the motorcycle and make sure that the wires and harnesses are not pinched.
- Although the illustration is of GL1800/D/DA, use the same procedures for other models.

- Open the left saddlebag lid and take up the helmet holder as shown.

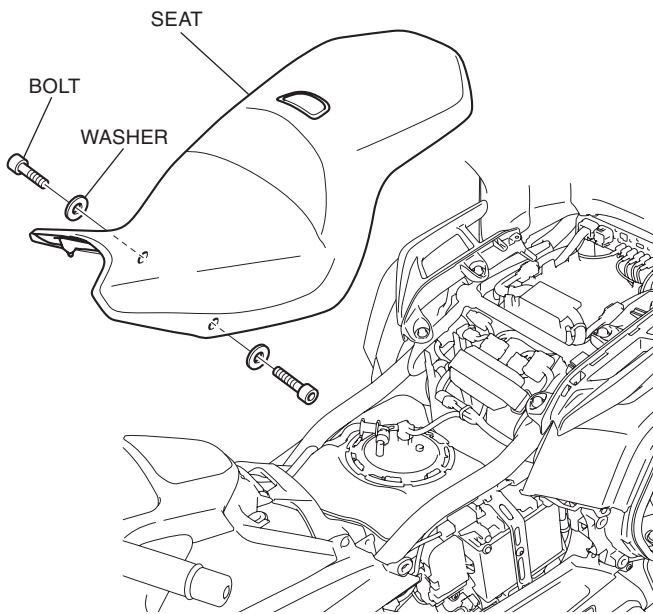
<Left side>



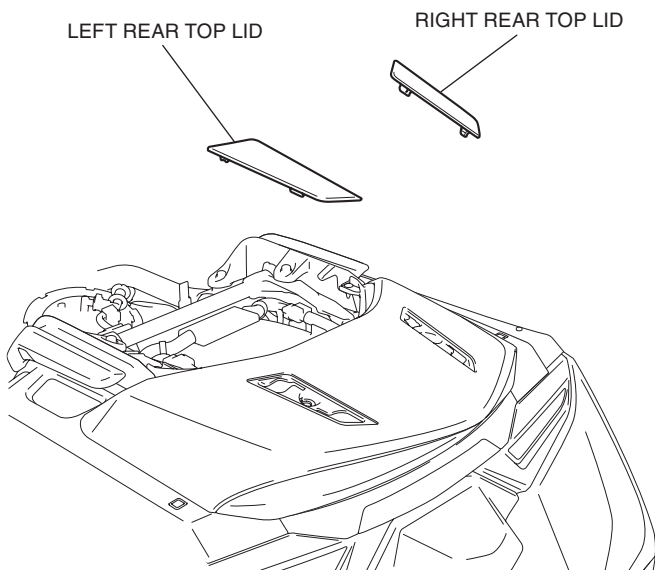
- Remove the left side cover as shown, and disconnect the negative (-) cable of the battery.



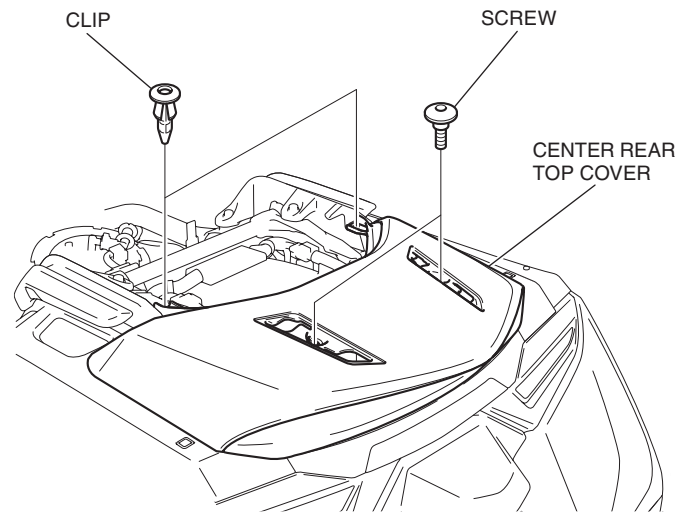
3. Remove the right side cover in the same manner as the left side.
4. Remove the seat as shown.
 - **Disconnect the connector for GL1800/D/DA.**



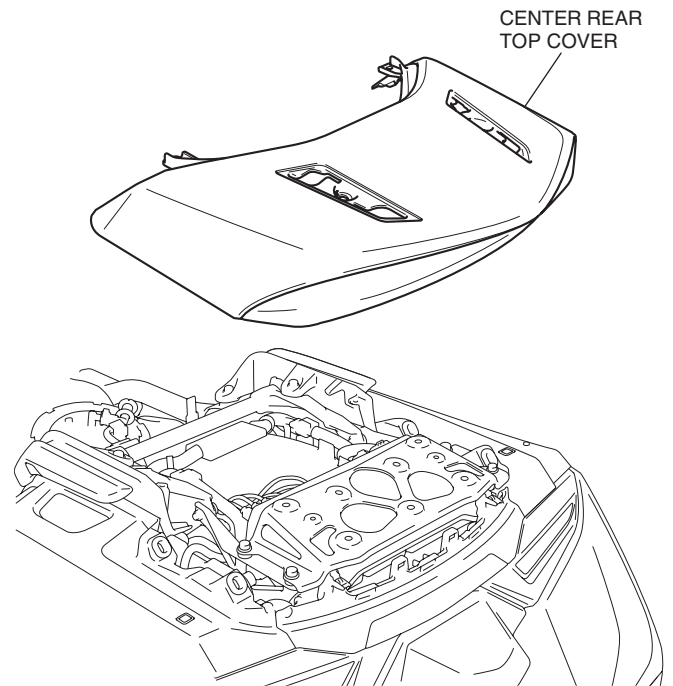
5. Remove the right and left rear top lid as shown.
 - **Perform this step on GL1800B/BD only.**



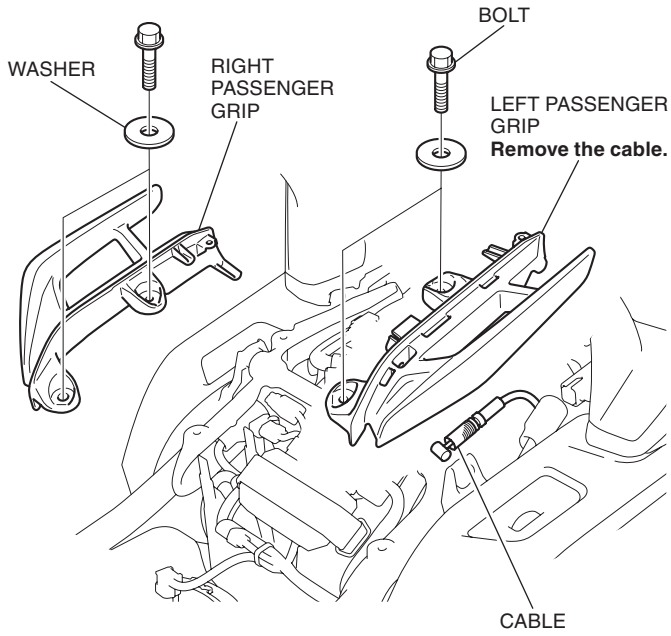
6. Remove the parts as shown.
 - **Perform this step on GL1800B/BD only.**



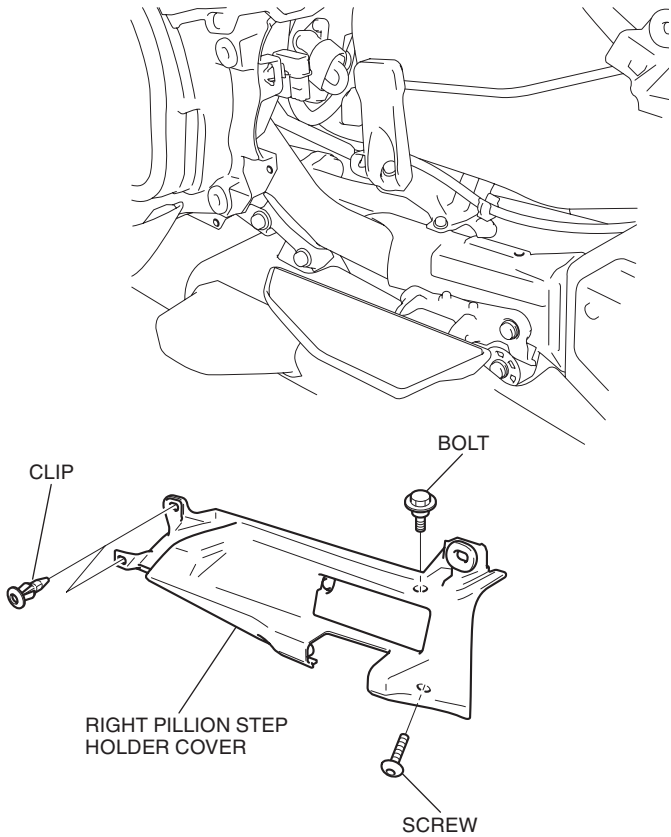
7. Remove the center rear top cover as shown.
 - **Perform this step on GL1800B/BD only.**



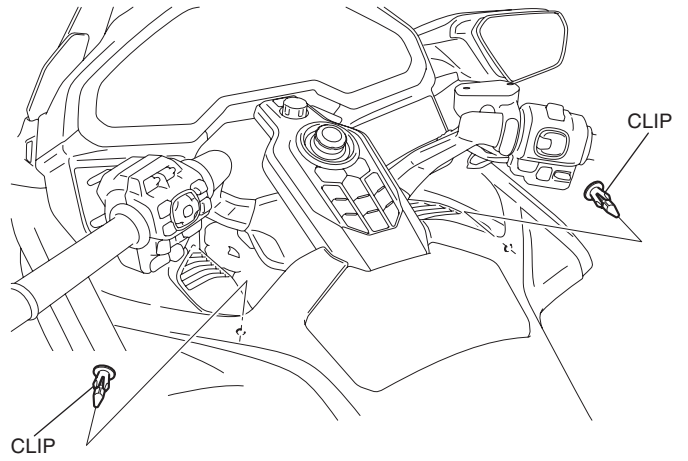
8. Remove the right and left passenger grip as shown.



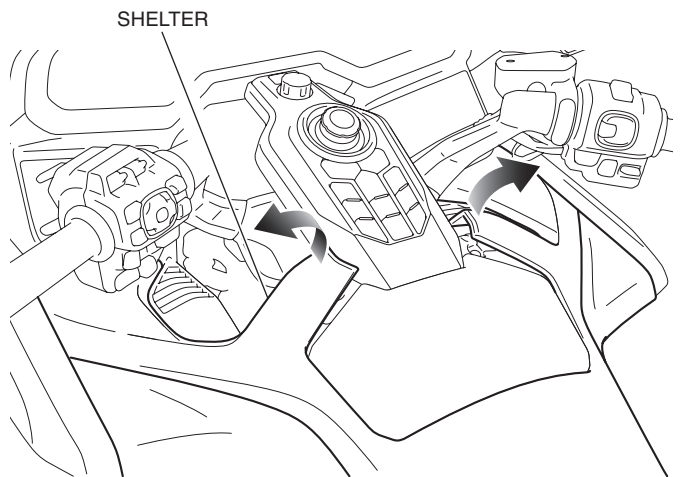
9. Remove the right pillion step holder cover as shown.
<Right side>



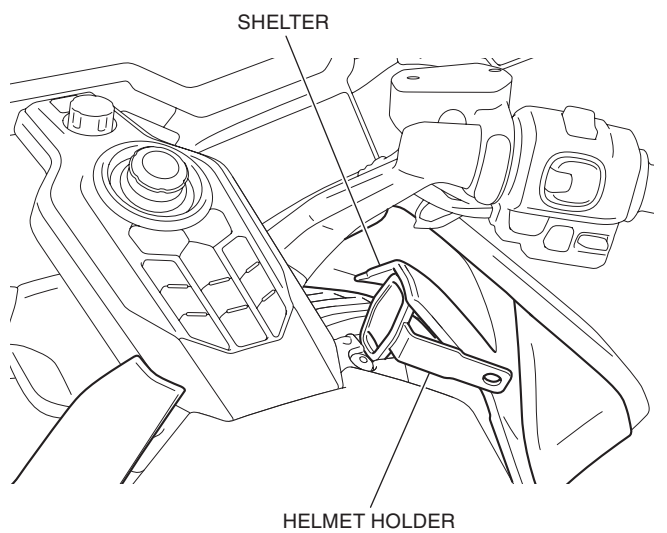
10. Remove the clips as shown.



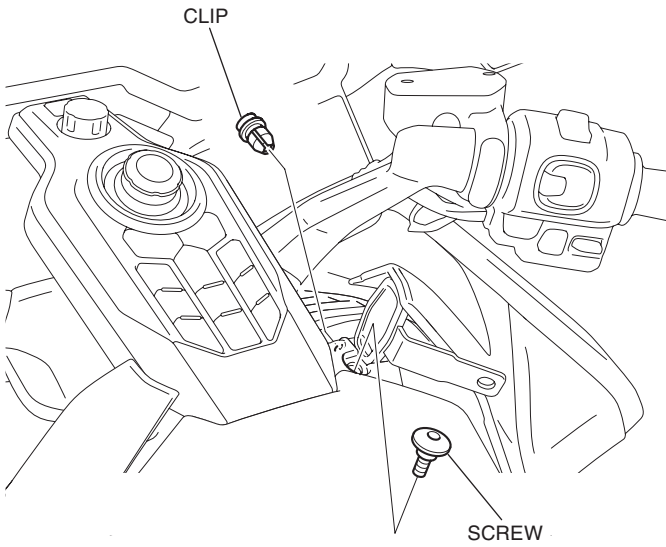
11. Remove the shelter as shown.



12. Insert the helmet holder into the gap as shown.
<Right side>



13. Remove the screw and clip as shown.

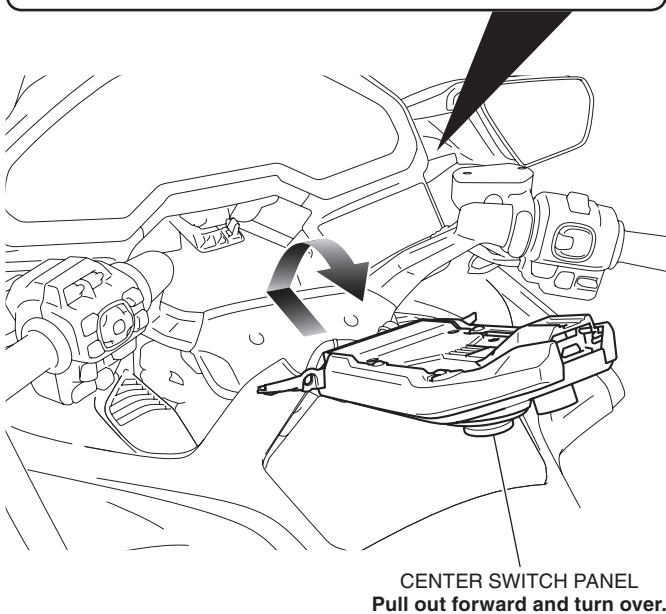
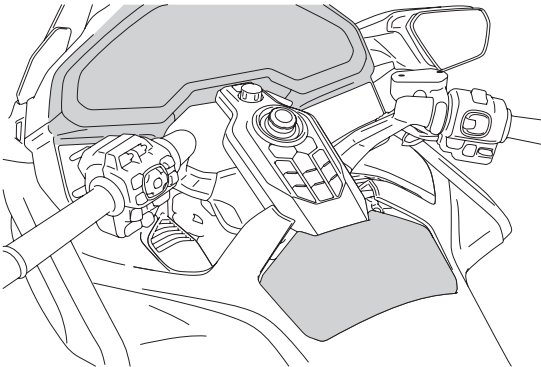


14. Remove the helmet holder.

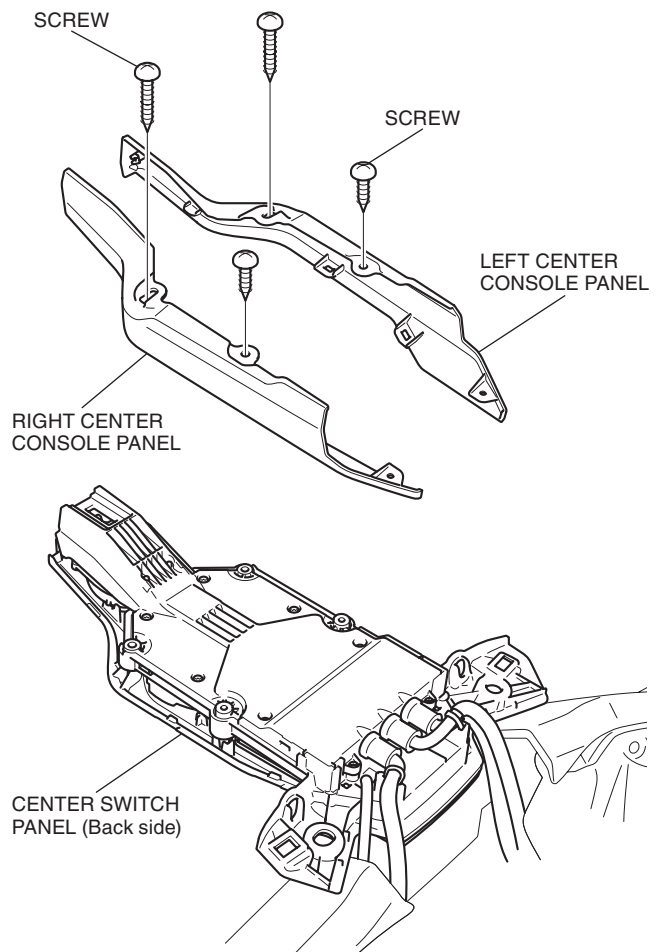
15. Remove the left screw and clip in the same manner as the right side.

16. Remove the center switch panel as shown.

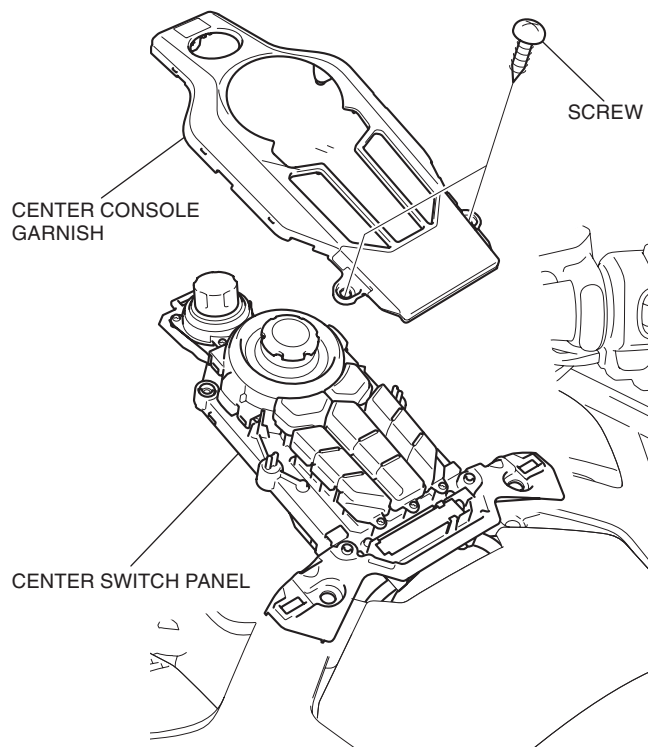
Before removing the center switch panel, protect the  area from damage using masking tape or similar.



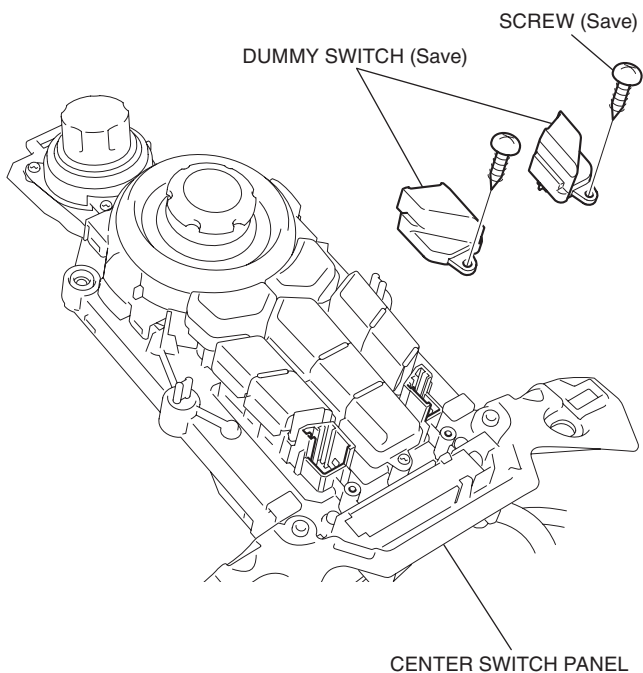
17. Remove the right and left center console panel as shown.



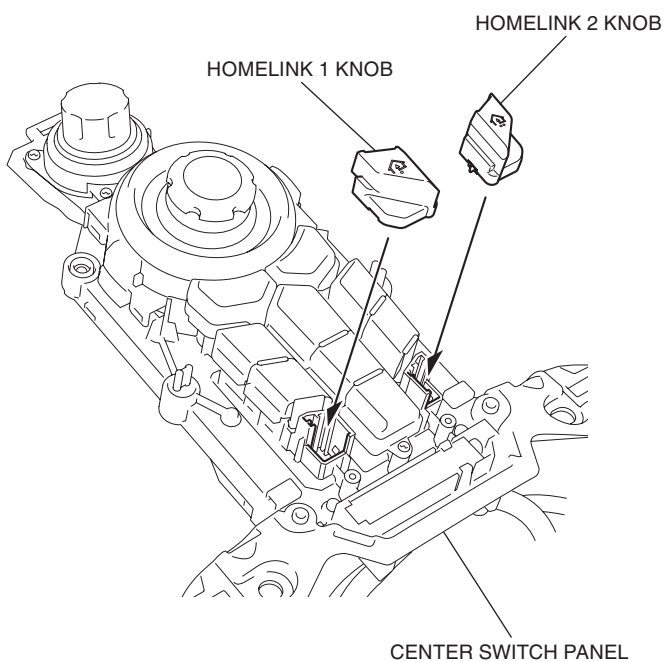
18. Remove the center console garnish as shown.



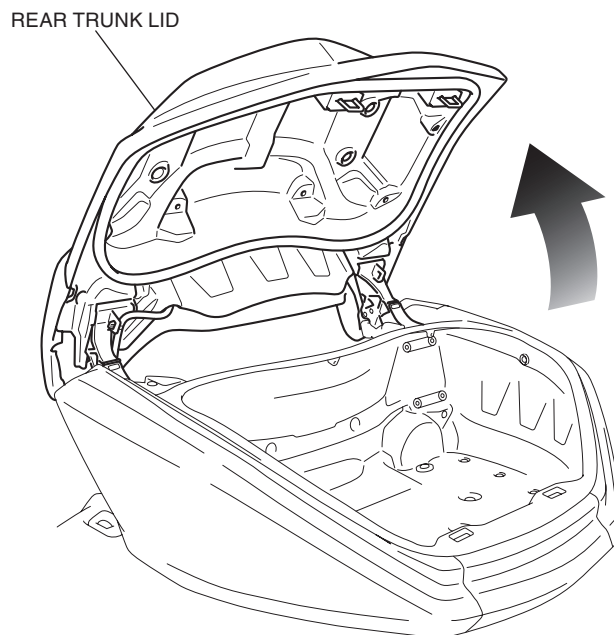
19. Remove the dummy switch as shown.



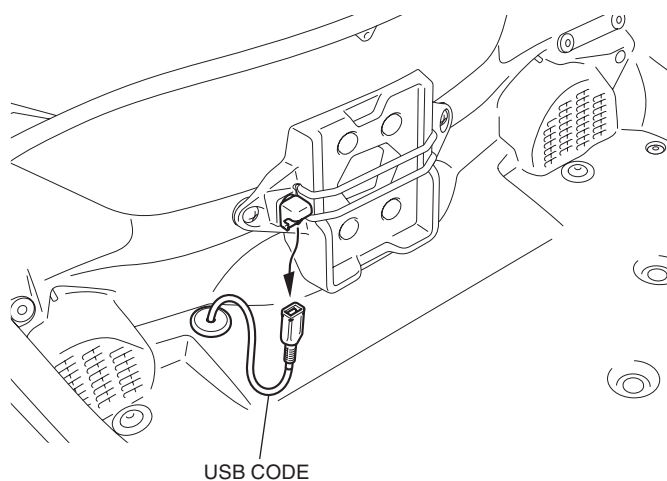
20. Install the homelink knobs as shown.



21. Install the center console garnish, right and left center console panel in the reverse order of removal.
22. Install the center switch panel in the reverse order of removal.
23. Remove the masking tape and install the shelter in the reverse order of removal.
24. Open the rear trunk lid as shown.
 - Perform this step on GL1800/D/DA only.
 - Refer to the Owner's Manual and using an emergency trunk cable to open the rear trunk lid.

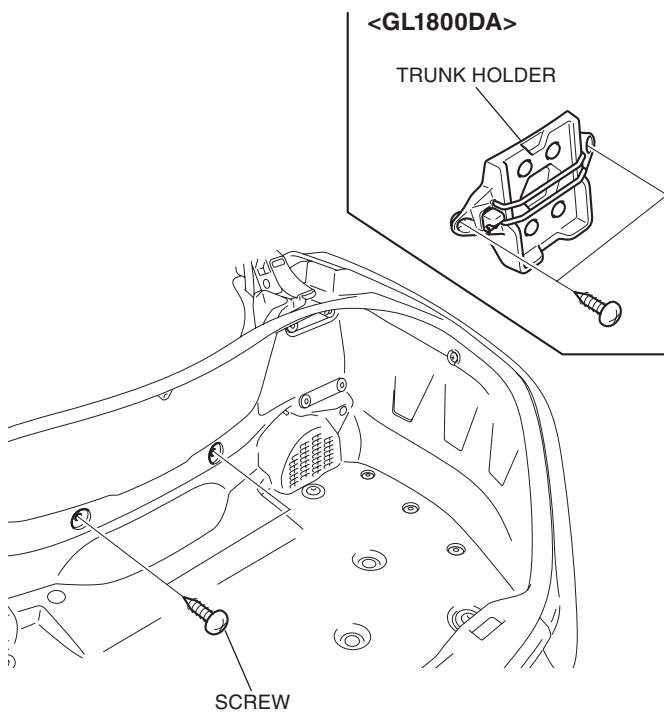


25. Remove the USB code as shown.
 - Perform this step on GL1800DA only.



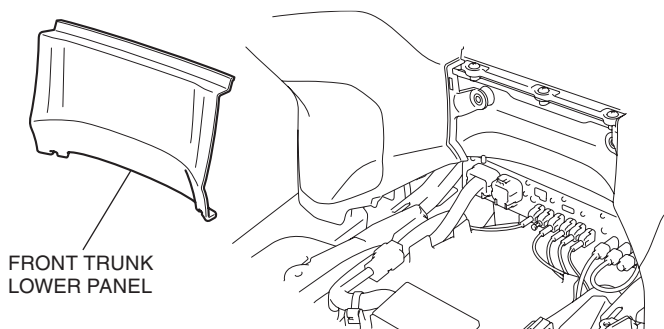
26. Remove the parts as shown.

- Perform this step on GL1800/D/DA only.



27. Remove the front trunk lower panel as shown.

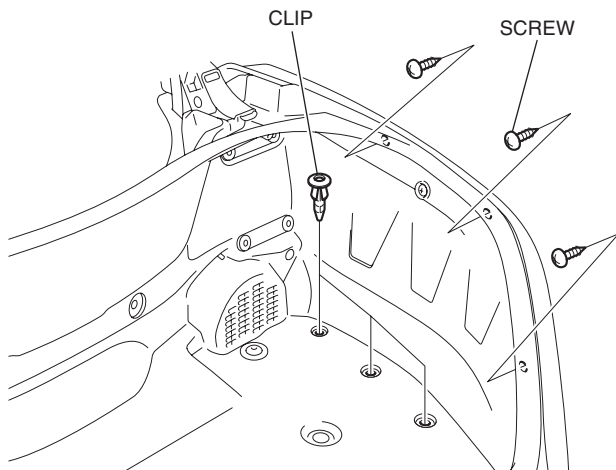
- Perform this step on GL1800/D/DA only.



28. Remove the parts as shown.

- Perform this step on GL1800/D/DA only.
- Repeat on the left side.

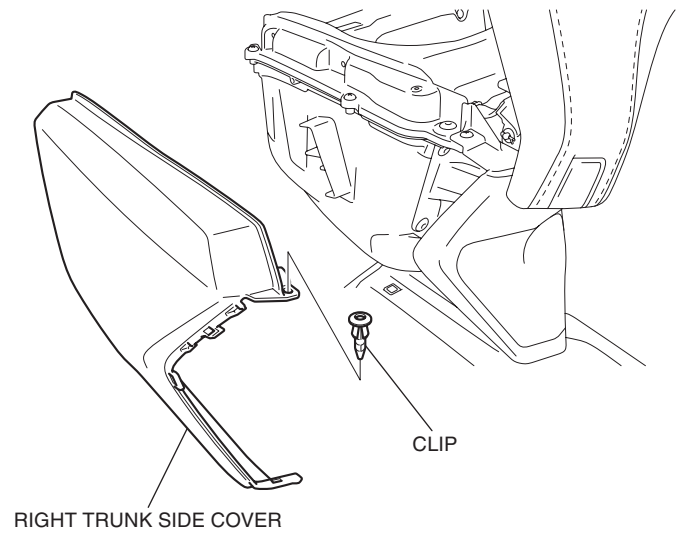
<Right side>



29. Remove the right trunk side cover as shown.

- Perform this step on GL1800/D/DA only.
- Repeat on the left side.

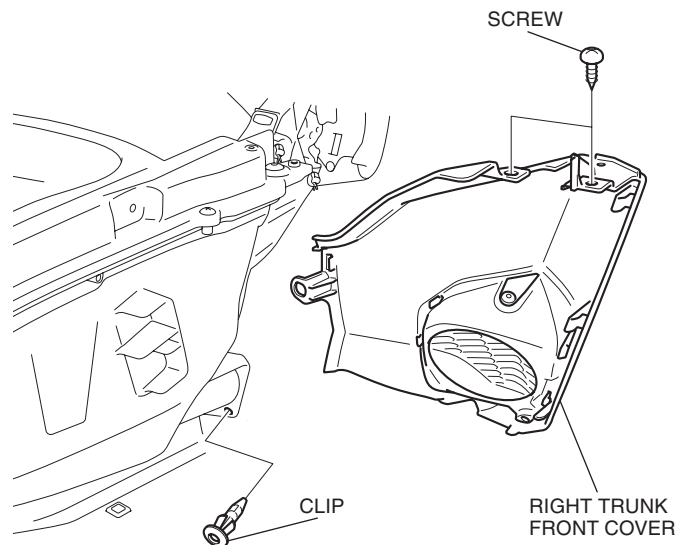
<Right side>



30. Remove the right trunk front cover as shown.

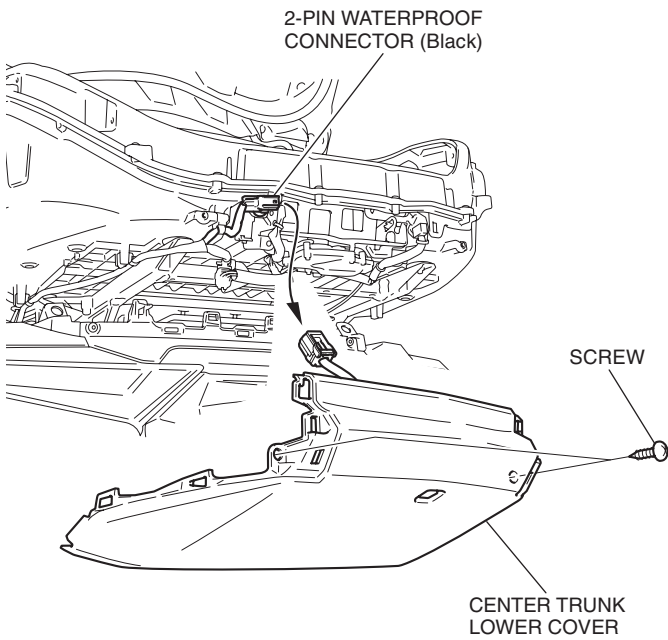
- Perform this step on GL1800/D/DA only.

<Right side>

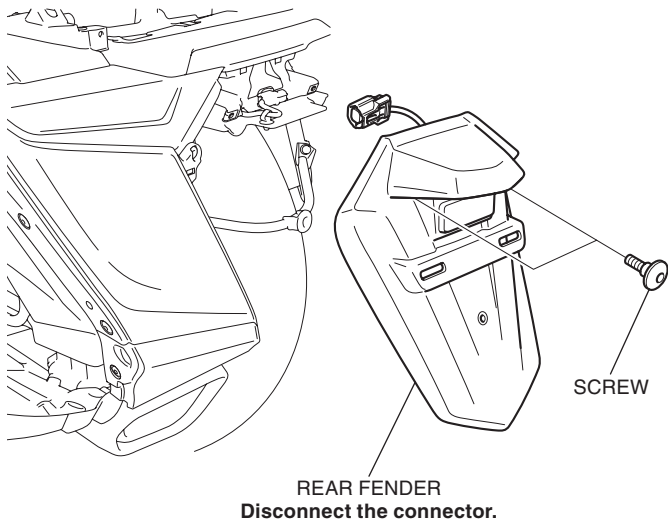


31. Disconnect the connector and remove the center trunk lower cover as shown.

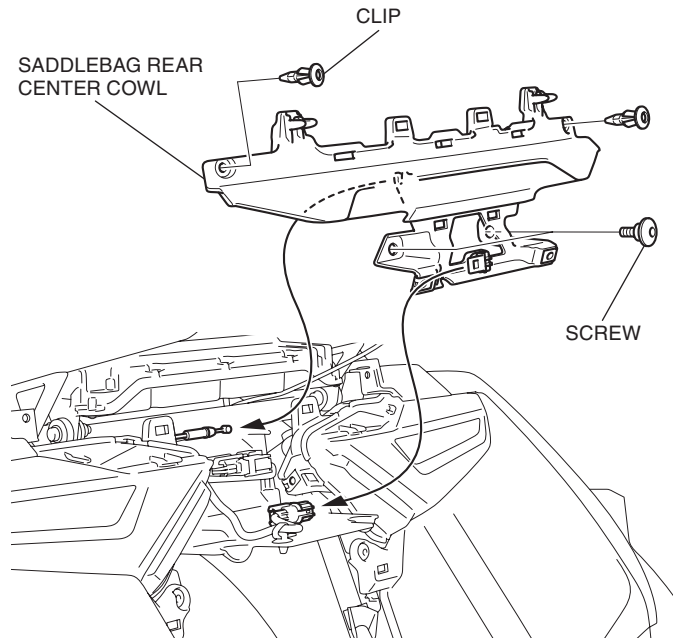
- Perform this step on GL1800/D/DA only.



32. Remove the rear fender as shown.

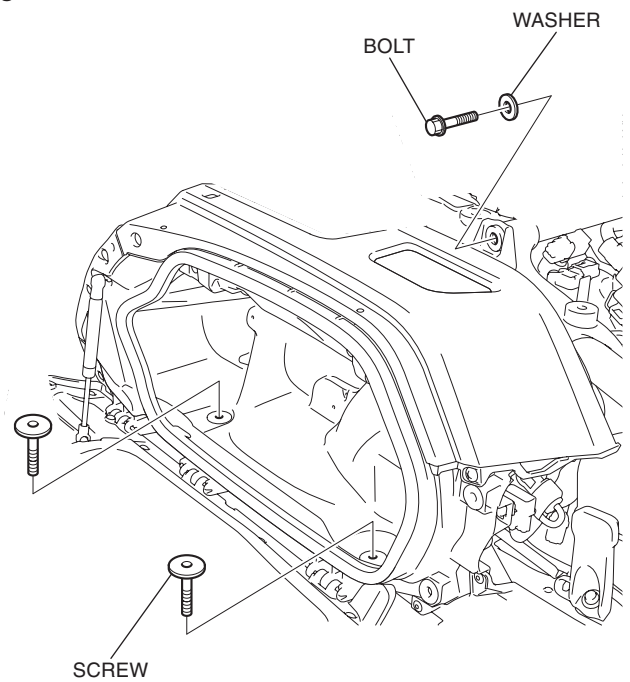


33. Remove the saddlebag rear center cowl as shown.

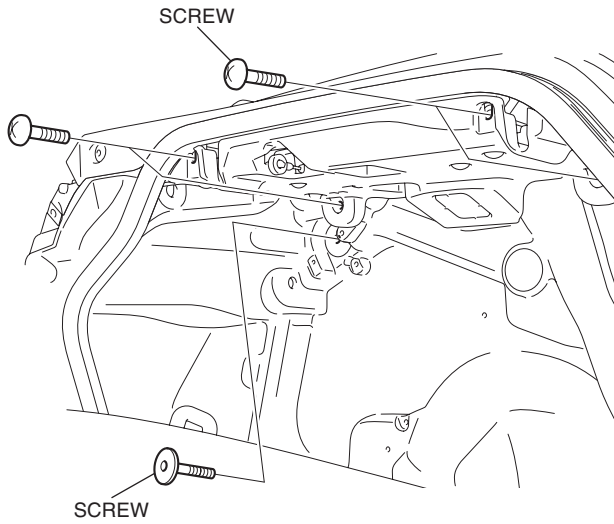


34. Remove the parts as shown.

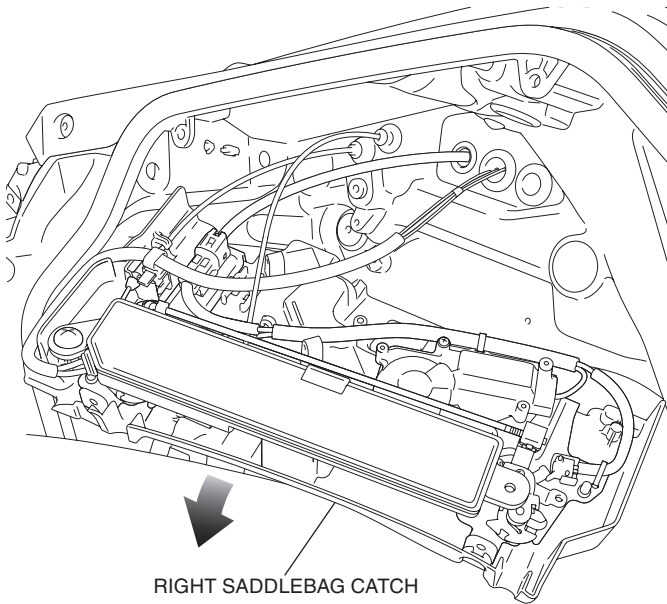
<Right side>



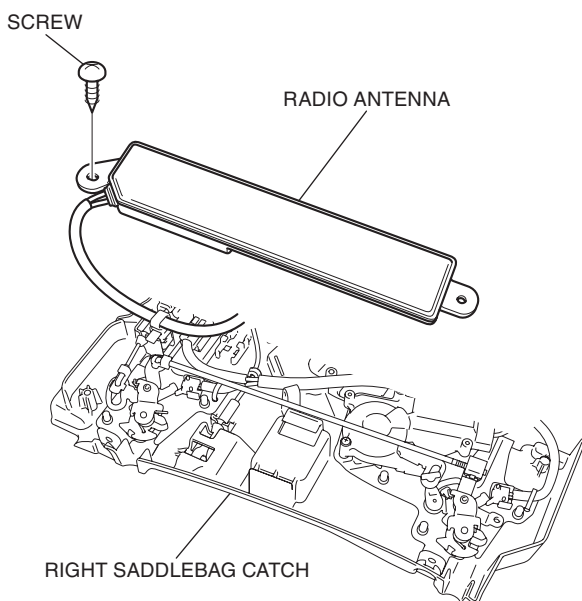
35. Remove the screws as shown.



36. Move the right saddlebag catch as shown.

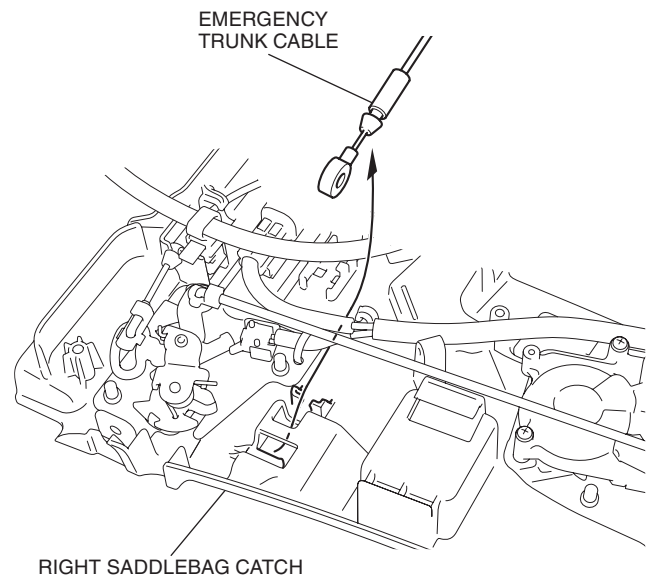


37. Remove the radio antenna as shown.

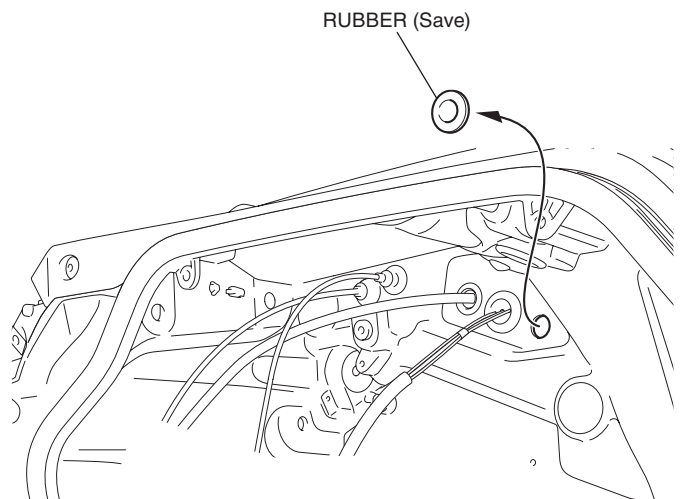


38. Remove the emergency trunk cable as shown.

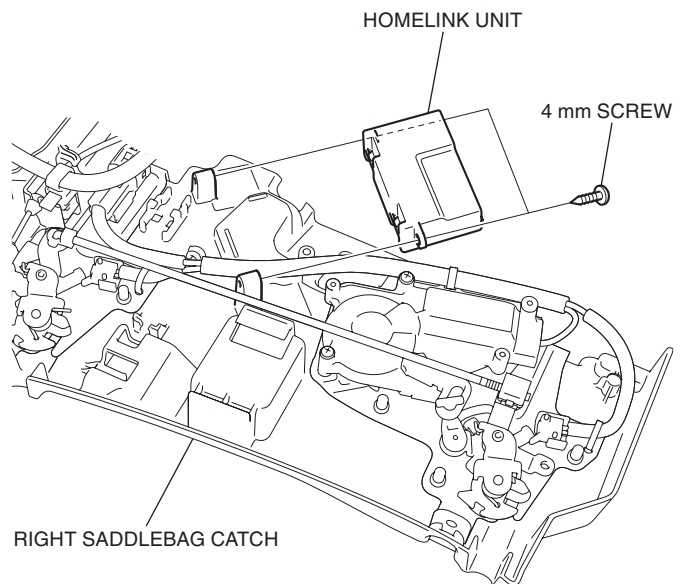
- Perform this step on GL1800/D/DA only.



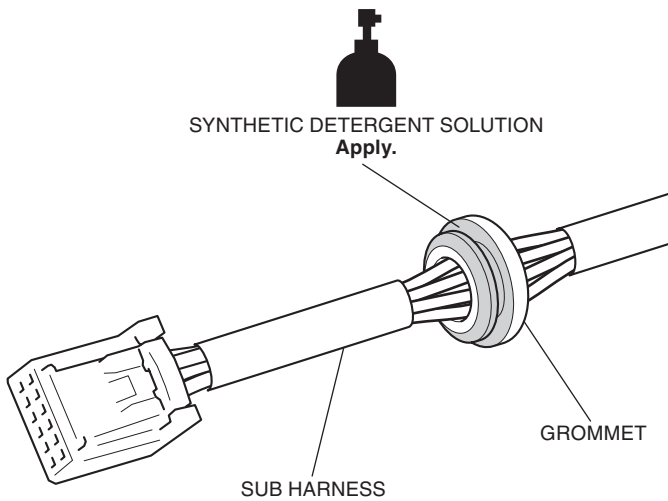
39. Remove the rubber as shown.



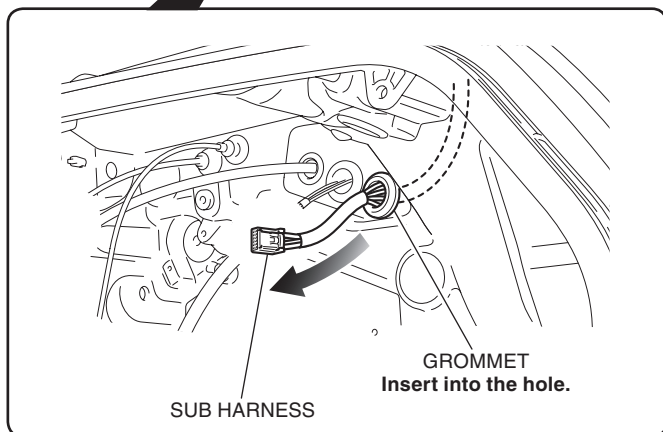
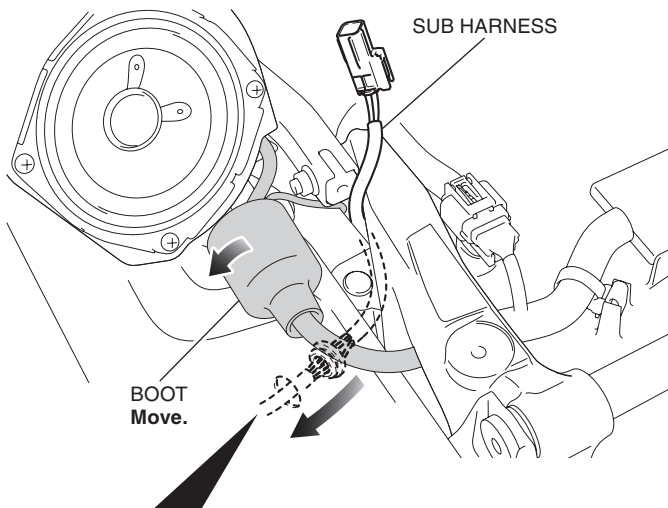
40. Install the homelink unit as shown.



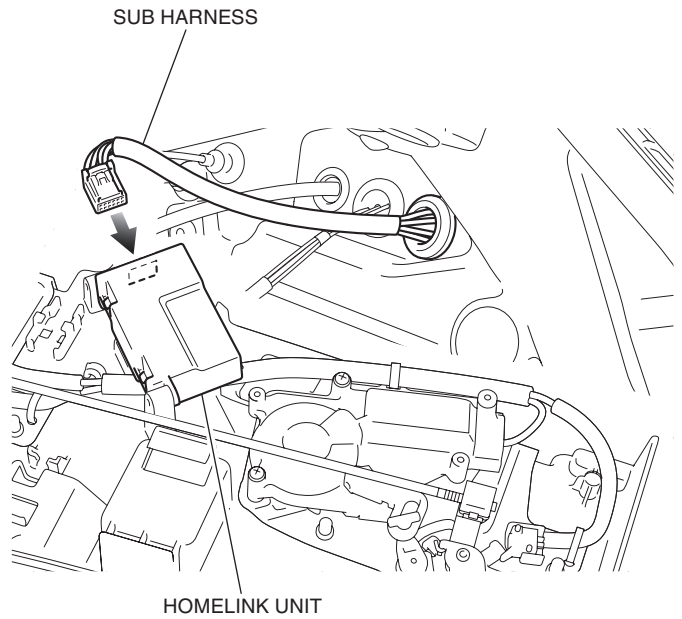
41. Apply synthetic detergent solution to the position shown.



42. Move the right saddlebag and route the sub harness as shown.

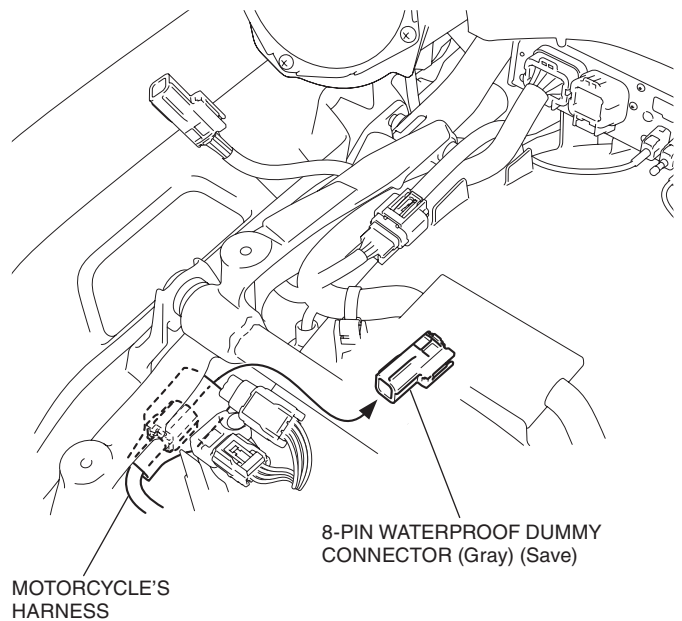


43. Connect the sub harness as shown.

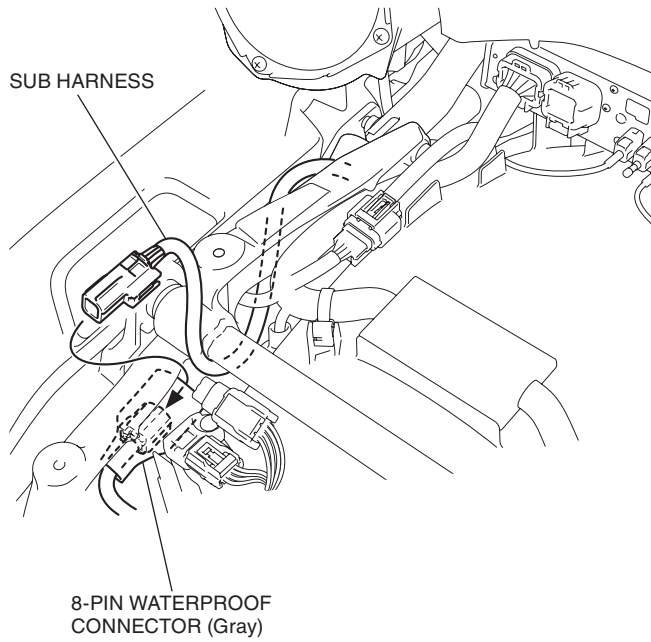


44. Install the right saddlebag, emergency trunk cable and right saddlebag catch in the reverse order of removal.

45. Remove the dummy connector as shown.



46. Route and connect the sub harness as shown.



47. Install the motorcycle's parts in the reverse order of removal.

- **Confirm that any wire harness is not caught or too tight.**

48. Check the homelink, headlight and the other lights for proper operation.