



INSTALLATION INSTRUCTIONS

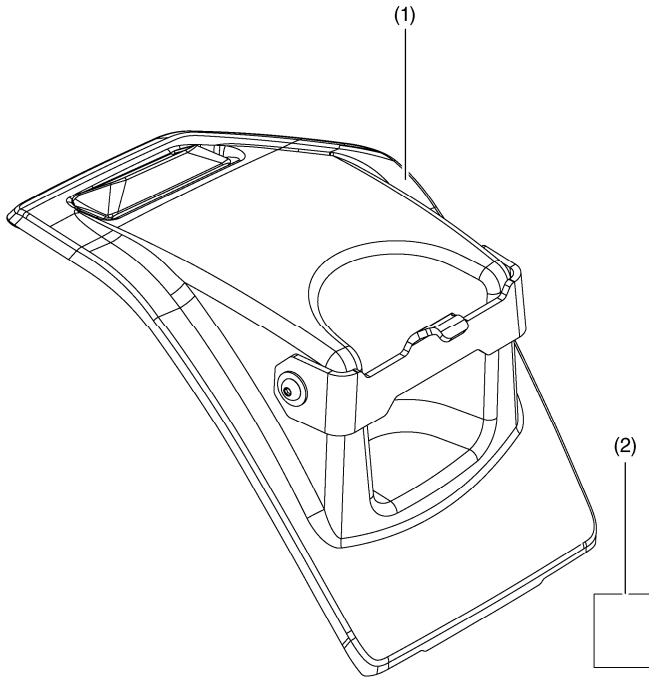
Accessory
CUP HOLDER
 P/N 0SC38-HR5-A00

Application
 After '19 TRX420
 After '19 TRX520

Publication No.
MII 17151
 Issue Date
October 2019

Honda Dealer: Please give a copy of these instructions to your customer.

PARTS LIST



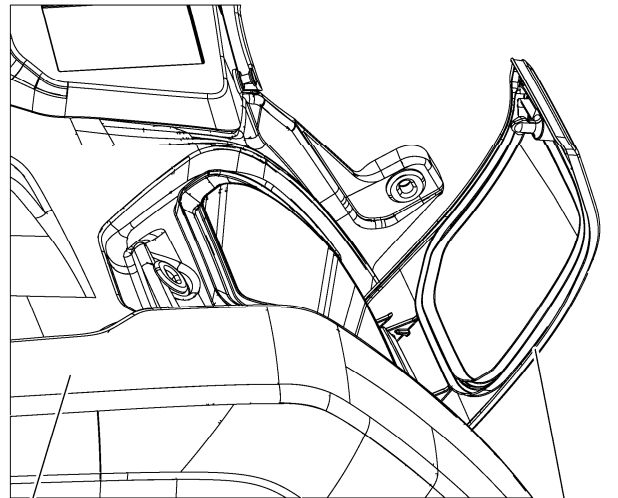
No.	Description	Qty
(1)	Cup holder	1
(2)	Installation Instruction URL	1

TOOLS REQUIRED

Flat-head screwdriver

INSTALLATION

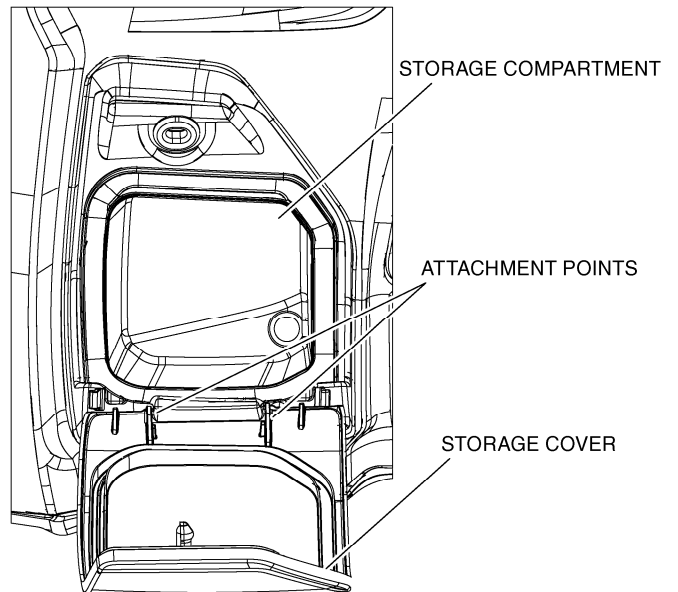
1. Pull open the storage cover located on the left mud guard.



LEFT MUD GUARD

STORAGE COVER

2. Using a flat-head screwdriver, separate the storage cover from the storage compartment at the attachment points.

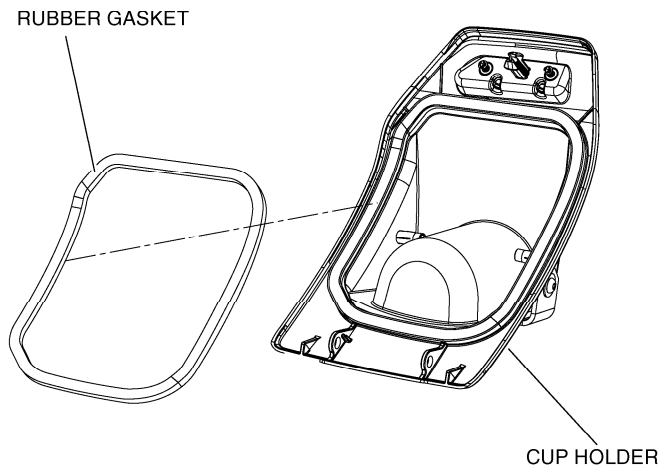


STORAGE COMPARTMENT

ATTACHMENT POINTS

STORAGE COVER

3. Remove the rubber gasket from the storage cover then install it onto the cup holder.



4. Attach the cup holder to the storage compartment using the attachment points shown in Step 2.

