



INSTALLATION INSTRUCTIONS

Accessory

REAR CARRIER EXTENDER
P/N 0SL74-HR4-A00

Application

After '19 TRX420
After '19 TRX520

Publication No.

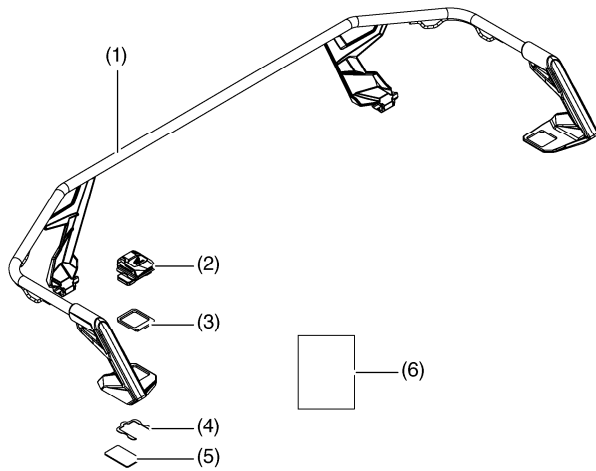
MII 17151

Issue Date

October 2019

Honda Dealer: Please give a copy of these instructions to your customer.

PARTS LIST

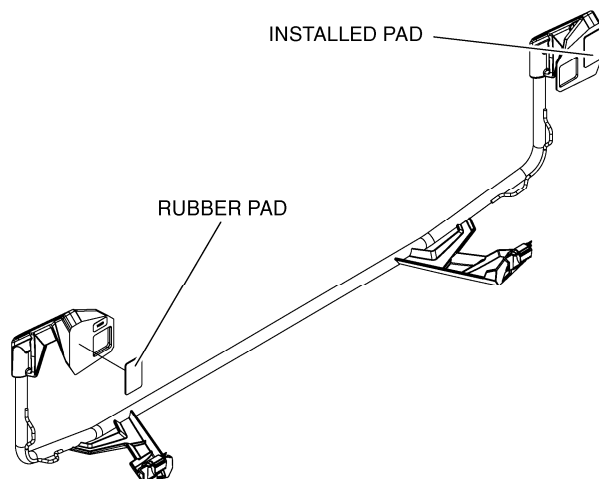


No.	Description	Qty
(1)	Rear Carrier Extender	1
(2)	Honda Pro-Connect™ latch	2
(3)	Rubber spacer	2
(4)	Snap ring	2
(5)	Rubber pad	2
(6)	Installation Instruction URL	1

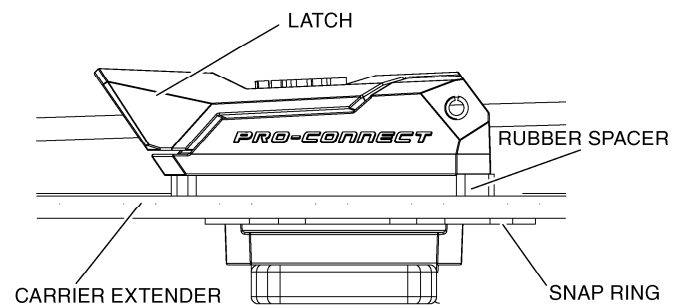
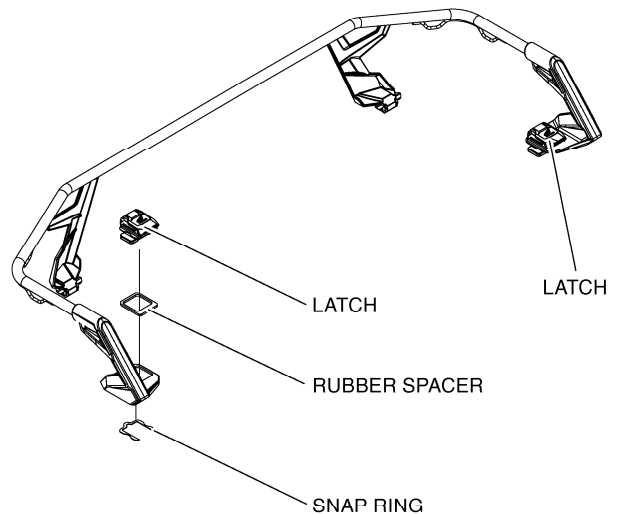
INSTALLATION

1. Remove the paper backing from the back of the rubber pad to expose the adhesive. Install the rubber pads in the locations shown.

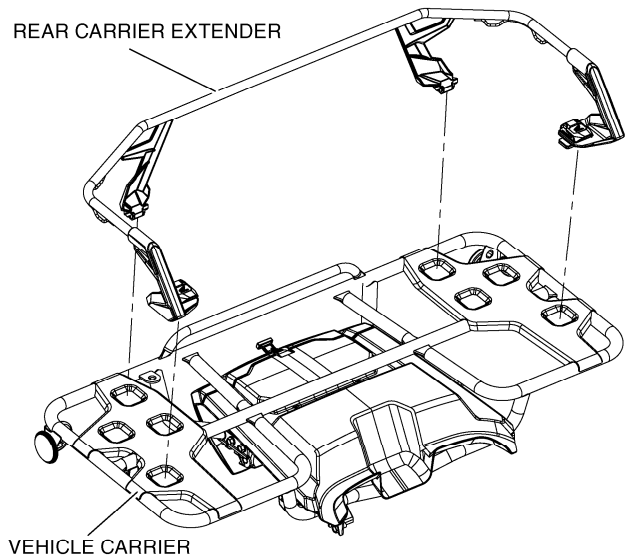
NOTE: Be sure the mating surface on the rear carrier extender is clean before installing the rubber pad.



2. Install two Honda Pro-Connect™ latches into the rear carrier extender using a rubber spacer between each latch and the carrier extender. Secure the latches to the rear carrier extender by installing a snap ring onto each latch from underneath the carrier extender.



3. Lift the lever on each latch to unlock them. Place the rear carrier extender onto the rear carrier of the ATV. Line up each latch with its corresponding hole in the carrier then push each latch into its hole.



4. Secure the rear carrier extender to the vehicle carrier by pressing down each Honda Pro-Connect™ lever.

